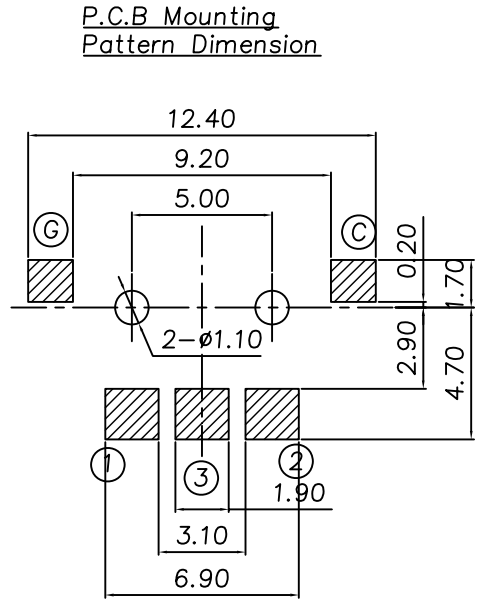
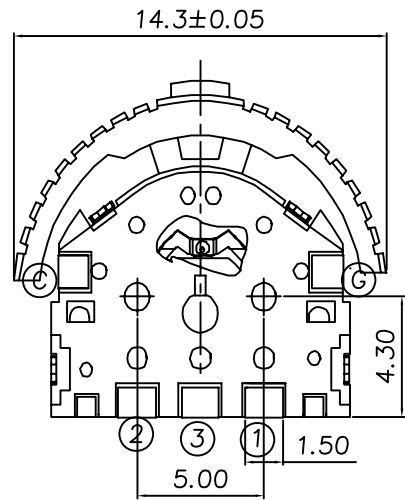
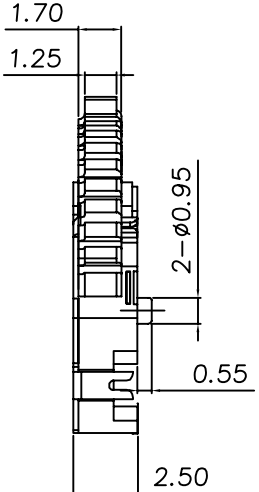
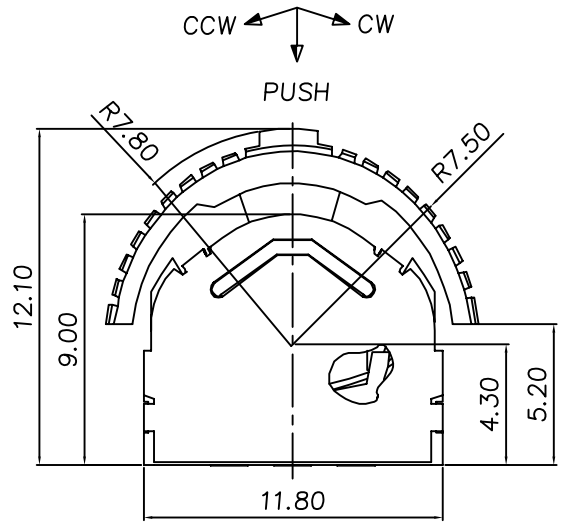


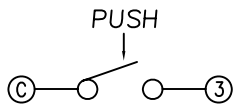
△				
△				
△				
△				
ZONE	REV	DESCRIPTION	DATE	APPD.

RoHS
Compatible

發行
2013.03.11
達立



Circuit Diagram



Specifications

1. Rating : DC 5V 10mA (Each bit)
2. Contact resistance : 500mΩ Max. Lever-ON switch
500mΩ Max. Push-ON switch
3. Insulation Resistance : 100MΩ min 100V DC
4. Output voltage : 1V Max. at 5V DC 1mA
(Resistive Load)
5. Operating Life : 100,000 Cycles
6. Operating Force : Lever Portion : 80±30gf
Push Portion : 180±50gf
7. Operating temperature : -10~+60°C

Thin type

		Code Table	
		0° (ON)	
TER' ANG.	(25°) (11°)	(11°) (25°)	
①	▨		
②		▨	
③	▨	▨	

CCW ← → CW

6	Terminal	Phosphor Bronze	1	Ag Plated
5	Cover	Stainless Steel	1	—
4	Spring	Stainless Steel	1	—
3	Stem	PA66	1	Black
2	Spring plated	Phosphor Bronze	1	Ag Plated
1	Base	PA46	1	Black
NO	Part Name	Material	Q'ty	Finishing

達立科技股份有限公司
Dawning Precision Co., Ltd.
TEL: 886-2-82271388 FAX: 886-2-82272198

DESIGN	Benson	SCALE		
DRAWING	Benson	UNIT	mm	
CHECK	Benson	SIZE	A4: 210*297	
APPROVAL	Eric	VERSION	01	

TOLERANCE UNLESS OTHERWISE STATED(mm)	PART NAME	PUSH & LEVER SW
less than 10 — ±0.2	PART NO	K01B-S097
10~30 — ±0.3	DRAWING NO	
30~100 — ±0.5	DATE	2012/06/29
ANGIE — ±2°		