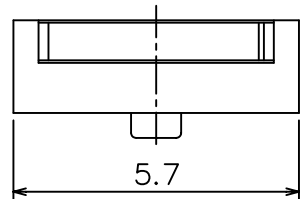
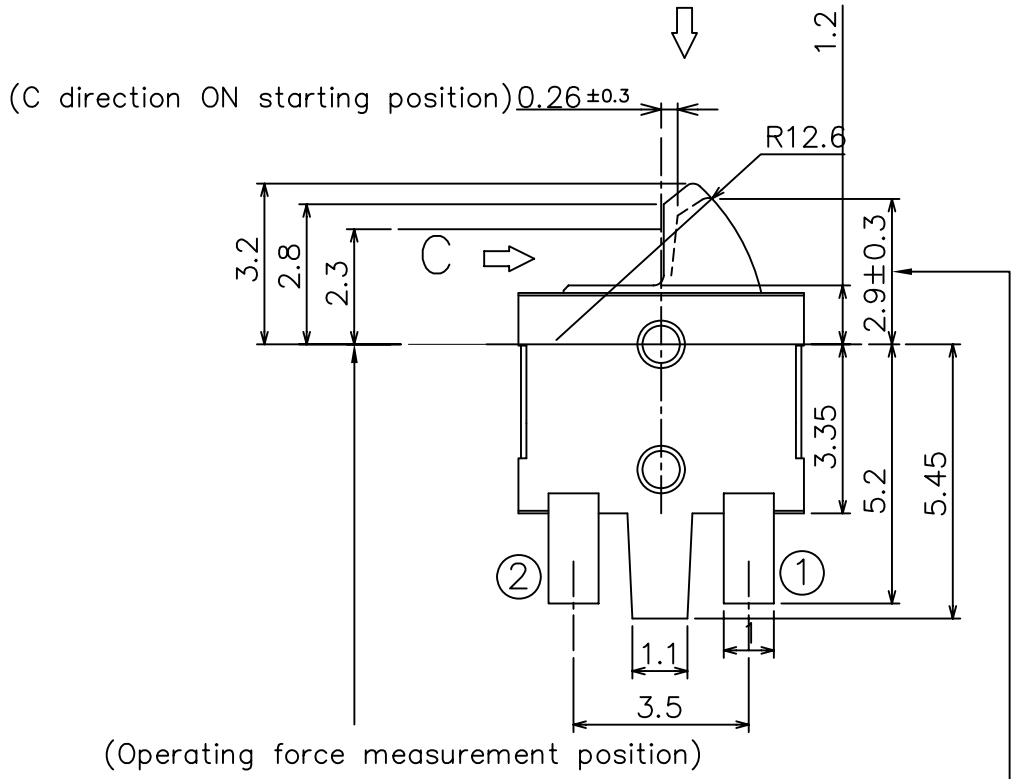


**RoHS**  
**Compatible**

△				
△				
△				
△				
ZONE	REV	DESCRIPTION	DATE	APPD.

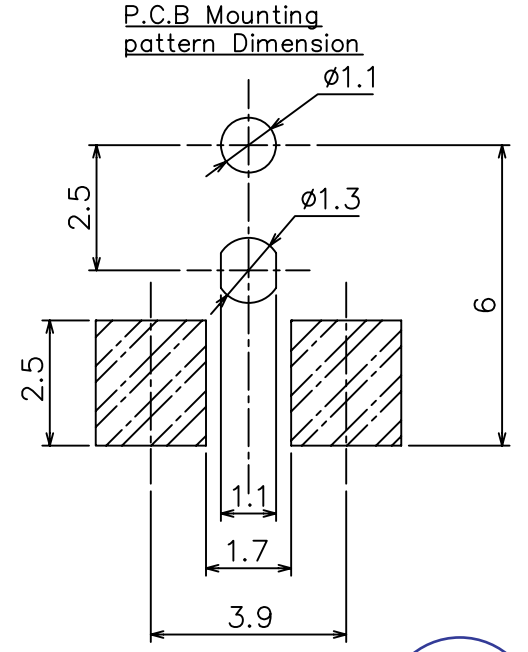
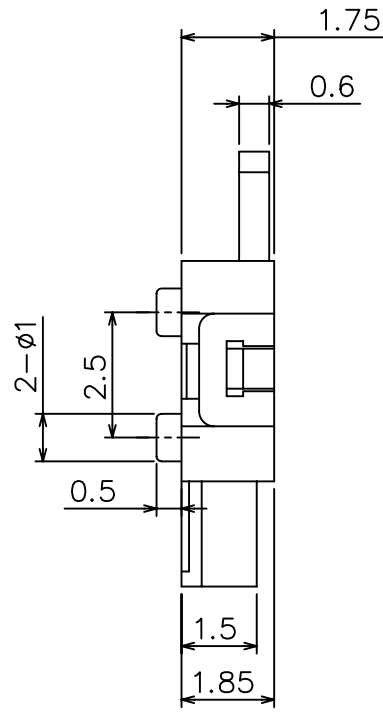


B (Total travel position)

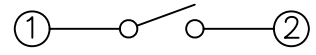


(Operating force measurement position)

(B direction ON starting position)



Circuit diagram



發行  
2010.06.07  
達立

**達立科技股份有限公司**  
**Dawning Precision Co., Ltd.**  
TEL: 886-2-82271388 FAX: 886-2-82272198

DESIGN	Will	SCALE			TOLERANCE UNLESS OTHERWISE STATED(mm)
DRAWING	Will	UNIT	mm		less than 10 — ±0.2
CHECK	Will	SIZE	A4: 210*297		10~30 — ±0.3
APPROVAL	Eric	VERSION	01		30~100 — ±0.5
					ANGIE — ±2°

PART NAME	DETECTOR SWITCH
PART NO	DS-A50
DRAWING NO	
DATE	2010/02/02