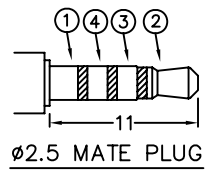
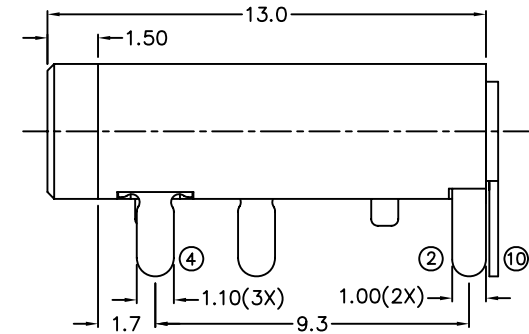
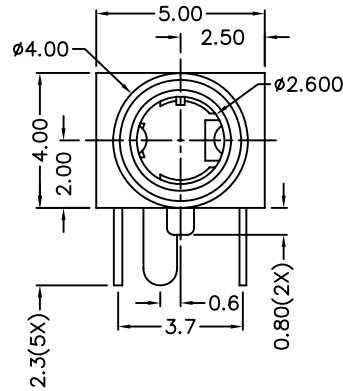
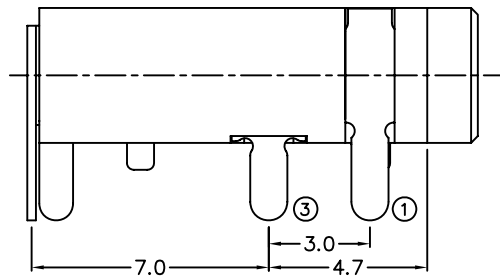
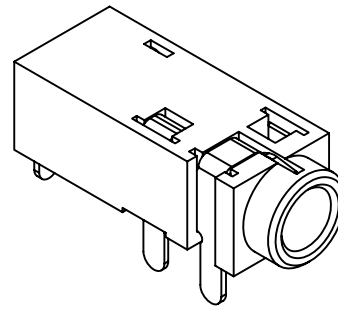


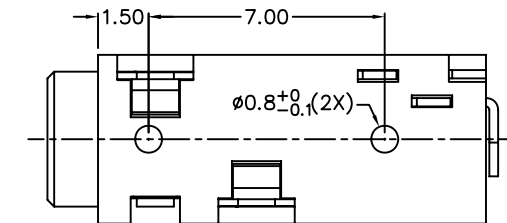
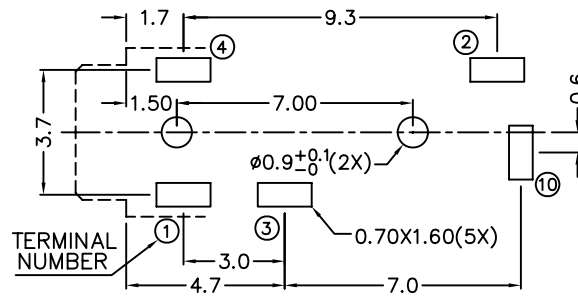
**RoHS**  
Compatible

△				
△				
△				
△				
ZONE	REV	DESCRIPTION	DATE	APPD.



**\* MATERIAL**

- TERMINAL 1 : COPPER ALLOY
- TERMINAL 2 : COPPER ALLOY
- TERMINAL 3 : COPPER ALLOY
- TERMINAL 4 : COPPER ALLOY
- TERMINAL 10: BRASS
- HOUSING : PA66



MODEL NO.	PJ-2765	PJ-2764	PJ-2764A
SCHMATIC			

PCB LAYOUT  
(BOTTOM VIEW)

**達立科技股份有限公司**

**Dawning Precision Co., Ltd.**

TEL: 886-2-82271388 FAX: 886-2-82272198

DESIGN	Will	SCALE		
DRAWING	Will	UNIT	mm	
CHECK	Will	SIZE	A4: 210*297	
APPROVAL	Eric	VERSION	01	

TOLERANCE UNLESS OTHERWISE STATED(mm)
less than 10 ±0.2
10~30 ±0.3
30~100 ±0.5
ANGIE ±2°

PART NAME	PHONE JACK
PART NO	PJ-276 SERIES
DRAWING NO	
DATE	2009/12/01