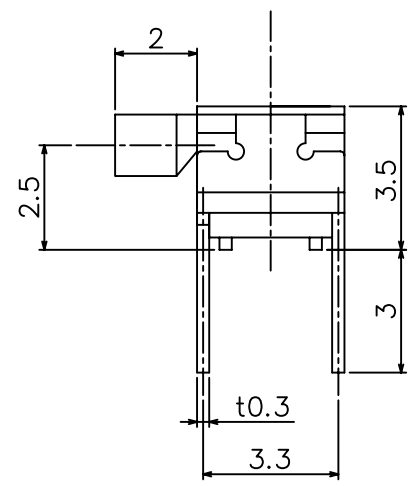
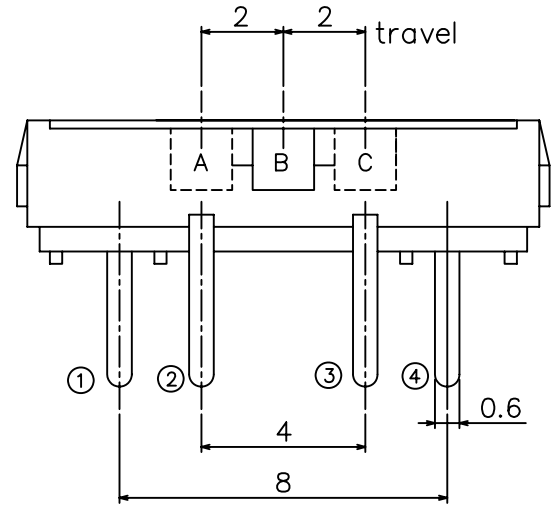
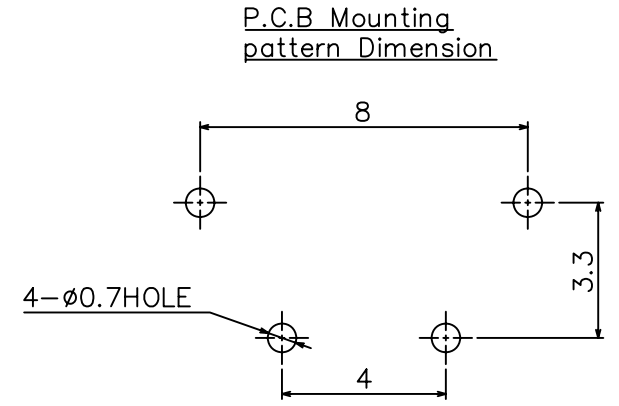
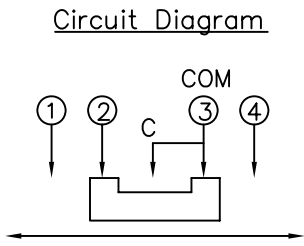
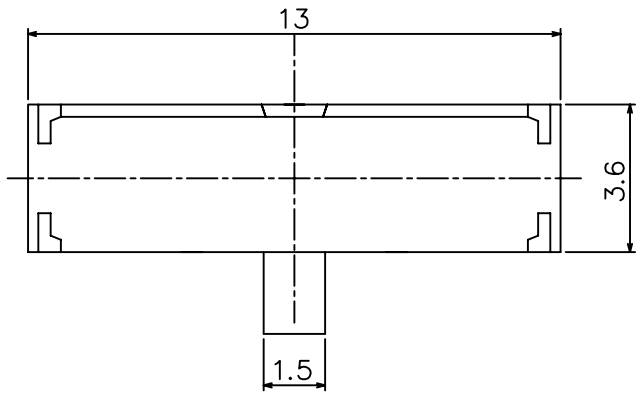


RoHS
Compatible

▲				
▲				
▲				
▲				
ZONE	REV	DESCRIPTION	DATE	APPD.



發行
2009.10.01
達立

Specifications

1. Rating : DC 6V, 0.3A
2. Circuit : 1C-3P
3. Timing : non-shorting
4. Travel : 2mm
5. Operating force : A→B←C : 250±100gf
A←B→C : 300±150gf
6. Operating life : 10,000 cycles

達立科技股份有限公司
Dawning Precision Co., Ltd.
TEL: 886-2-82271388 FAX: 886-2-82272198

DESIGN	Will	SCALE		
DRAWING	Will	UNIT	mm	
CHECK	Will	SIZE	A4: 210*297	
APPROVAL	Eric	VERSION	01	

TOLERANCE UNLESS OTHERWISE STATED(mm)	PART NAME	SLIDE SWITCH
less than 10 — ±0.2	PART NO	SS-C46-S033
10~30 — ±0.3	DRAWING NO	
30~100 — ±0.5	DATE	2009/10/01
ANGIE — ±2°		