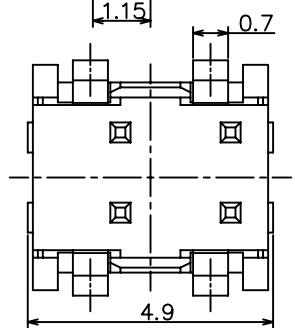
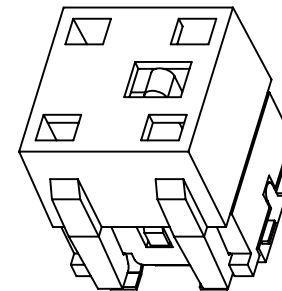
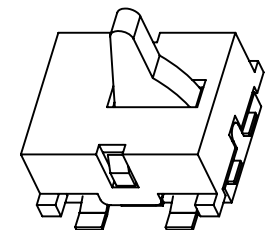
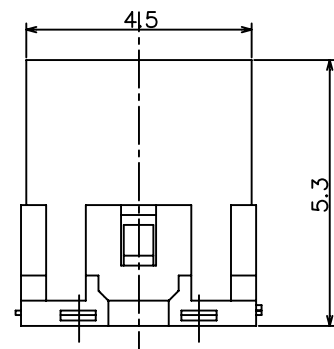
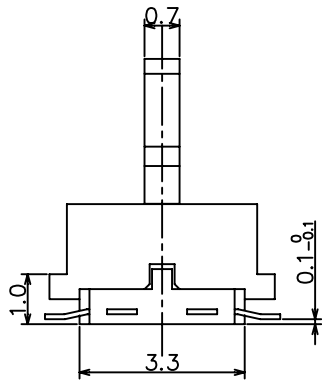
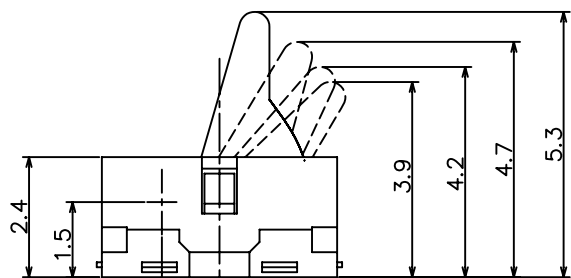
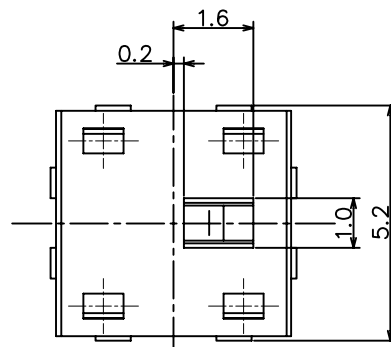
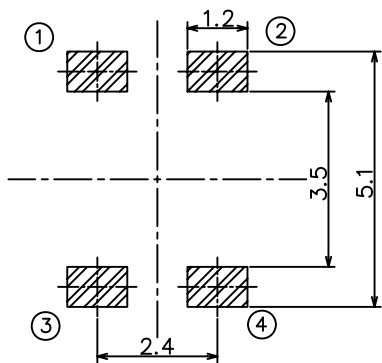
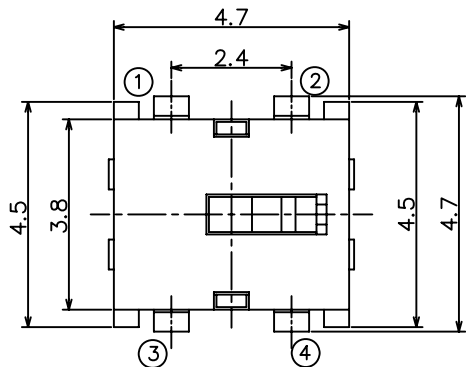


RoHS
Compatible

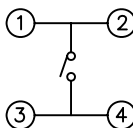
▲				
▲				
▲				
▲				
ZONE	REV	DESCRIPTION	DATE	APPD.

P.C.B Mounting
pattern Dimension



TOTAL TRAVEL POSITION
MEASURE POSITION
(OPERATING FORCE & CONTACT RESISTANCE)
4.7Min. 5.2Max "ON" POSITION

Circuit Diagram



Specifications

1. Rating : DC 5V, 1mA
2. Contact resistance : 1Ω Max.
3. Insulation resistance : DC250V-50MΩ Min.
4. Withstanding voltage : AC250V-1 minute
5. Operating force : 60gf Max.
6. Operating life : 100,000 cycles

達立科技股份有限公司

Dawning Precision Co., Ltd.

TEL: 886-2-82271388 FAX: 886-2-82272198

DESIGN	Will	SCALE		
DRAWING	Will	UNIT	mm	
CHECK	Will	SIZE	A4: 210*297	
APPROVAL	Eric	VERSION	01	

TOLERANCE UNLESS OTHERWISE STATED(mm)	PART NAME	DETECTOR SWITCH
less than 10 ±0.2	PART NO	DS-B80
10~30 ±0.3	DRAWING NO	
30~100 ±0.5	DATE	2009/10/29
ANGIE ±2°		

www.dawning2.com.tw