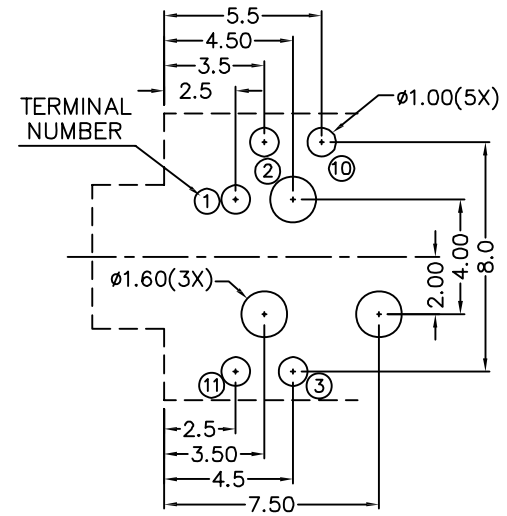
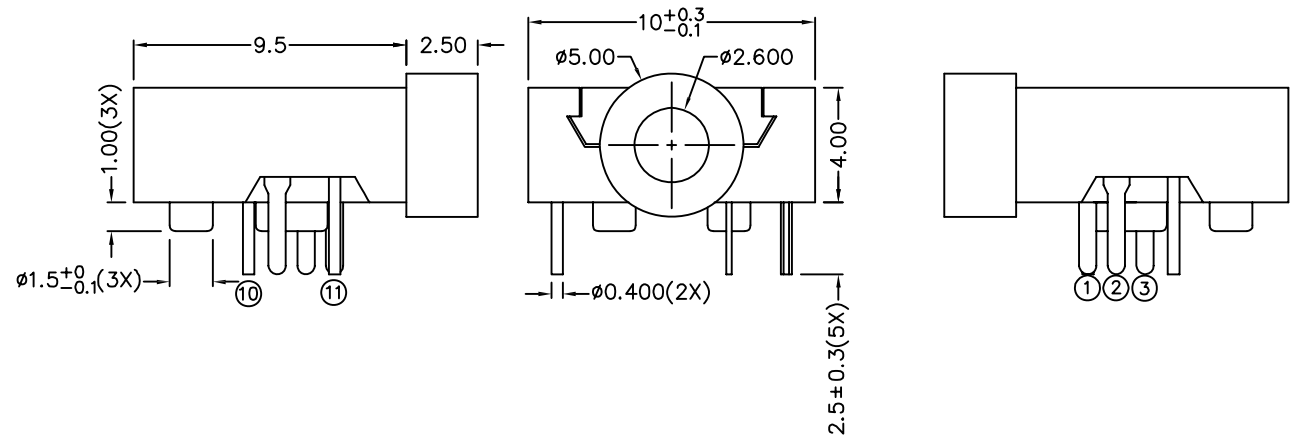
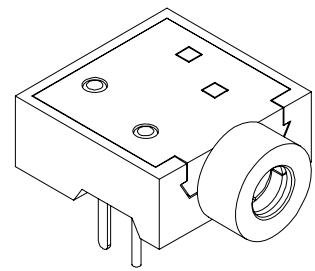


**RoHS**  
**Compatible**

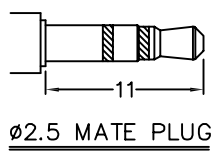
△				
△				
△				
△				
ZONE	REV	DESCRIPTION	DATE	APPD.



PCB LAYOUT (BOTTOM VIEW)

**\* MATERIAL**

- TERMINAL 1 : BRASS
- TERMINAL 2 : COPPER ALLOY
- TERMINAL 3 : COPPER ALLOY
- TERMINAL 10: COPPER ALLOY
- TERMINAL 11 : COPPER ALLOY
- BUSHING : PA66
- HOUSING : PA66
- COVER : PA66



MODEL NO.	PJ-2635P	PJ-2634AP	PJ-2634BP	PJ-2633P	PJ-2633AP	PJ-2632P
SCHEMATIC						

**達立科技股份有限公司**  
**Dawning Precision Co., Ltd.**  
TEL: 886-2-82271388 FAX: 886-2-82272198

DESIGN	Will	SCALE		
DRAWING	Will	UNIT	mm	
CHECK	Will	SIZE	A4: 210*297	
APPROVAL	Eric	VERSION	01	

TOLERANCE UNLESS OTHERWISE STATED(mm)
less than 10 $\pm 0.2$
10~30 $\pm 0.3$
30~100 $\pm 0.5$
ANGIE $\pm 2^\circ$

PART NAME	PHONE JACK
PART NO	PJ-263P SERIES
DRAWING NO	
DATE	2009/12/01