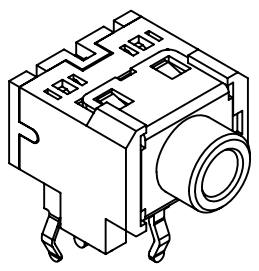


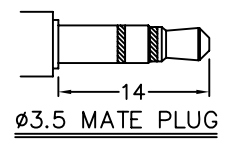
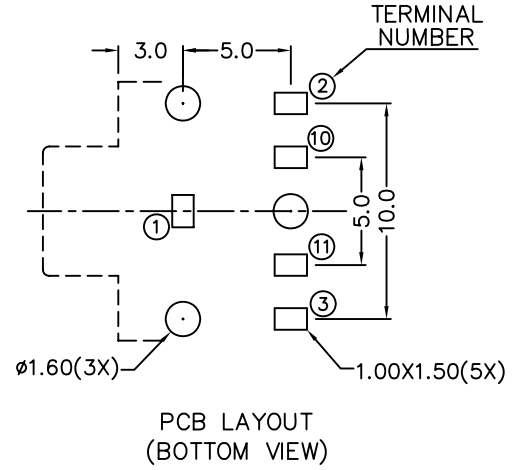
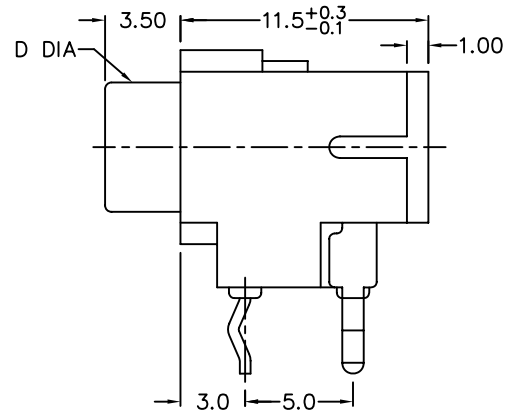
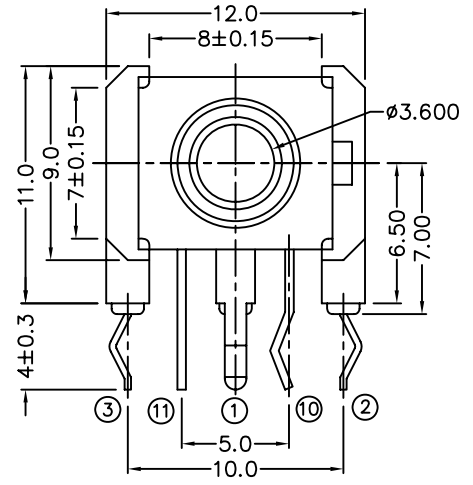
**RoHS**  
**Compatible**

△				
△				
△				
△				
ZONE	REV	DESCRIPTION	DATE	APPD.



**\* MATERIAL**

TERMINAL 1 : COLD ROLLED STEEL  
 TERMINAL 2 : COPPER ALLOY  
 TERMINAL 3 : COPPER ALLOY  
 TERMINAL 10 : BRASS  
 TERMINAL 11 : BRASS  
 BUSHING : BRASS  
 SPRING : STAINLESS STEEL  
 HOUSING : PBT  
 COVER : PBT



THREADED	M6X0.5	MODEL NO.	PJ-3845N	PJ-3844AN	PJ-3844BN	PJ-3843N	PJ-3843AN
FLASHED	φ6.0	MODEL NO.	PJ-3845F	PJ-3844AF	PJ-3844BF	PJ-3843F	PJ-3843AF
D DIA	SCHMATIC						

**達立科技股份有限公司**  
**Dawning Precision Co., Ltd.**  
TEL: 886-2-82271388 FAX: 886-2-82272198

DESIGN	Will	SCALE		
DRAWING	Will	UNIT	mm	
CHECK	Will	SIZE	A4: 210*297	
APPROVAL	Eric	VERSION	01	

TOLERANCE UNLESS OTHERWISE STATED(mm)	PART NAME	PHONE JACK
less than 10 — ±0.2	PART NO	PJ-384 SERIES
10~30 — ±0.3	DRAWING NO	
30~100 — ±0.5	DATE	2009/11/24
ANGIE — ±2°		