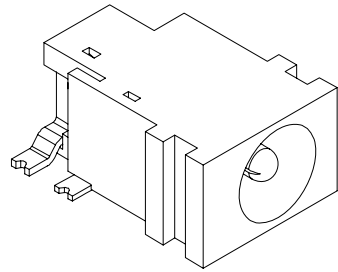
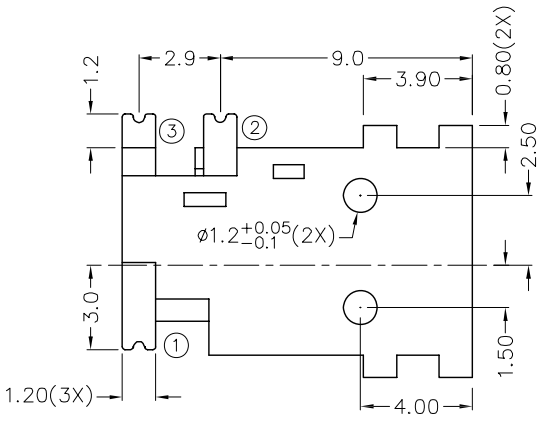
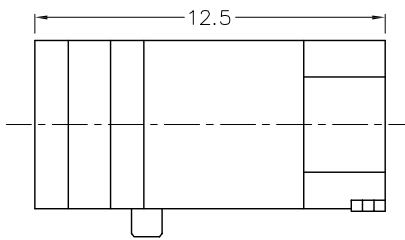
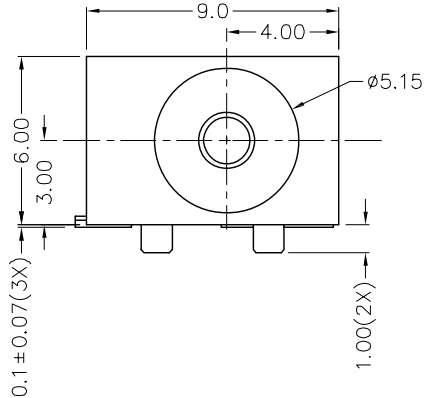
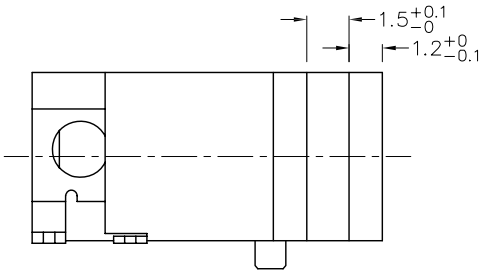


RoHS
Compatible

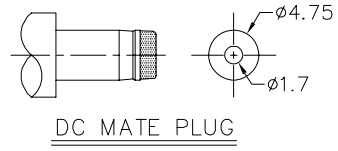
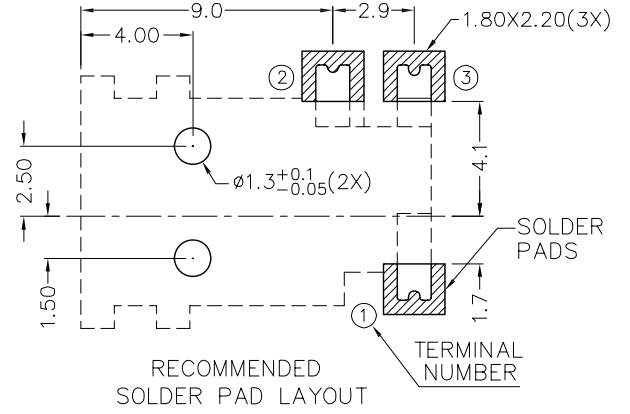


▲				
▲				
▲				
▲				
ZONE	REV	DESCRIPTION	DATE	APPD.



***MATERIAL**
 TERMINAL 1 : BRASS
 TERMINAL 2 : COPPER ALLOY
 TERMINAL 3 : BRASS
 HOUSING : PA6T

MODEL NO.	DC-023H
SCHEMATIC	1, 3, 2
CENTER PIN	Ø1.65mm



達立科技股份有限公司
Dawning Precision Co., Ltd.
 TEL: 886-2-82271388 FAX: 886-2-82272198

DESIGN	Will	SCALE		
DRAWING	Will	UNIT	mm	
CHECK	Will	SIZE	A4: 210*297	
APPROVAL	Eric	VERSION	01	

TOLERANCE UNLESS OTHERWISE STATED(mm)	
less than 10	±0.2
10~30	±0.3
30~100	±0.5
ANGIE	±2°

PART NAME	DC POWER SOCKET
PART NO	DC-023H
DRAWING NO	
DATE	2009/06/08