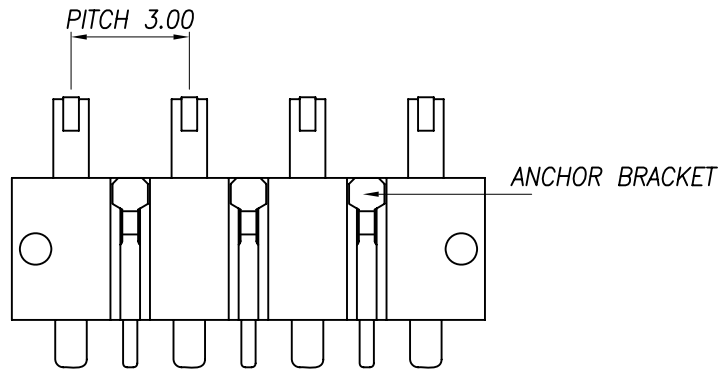
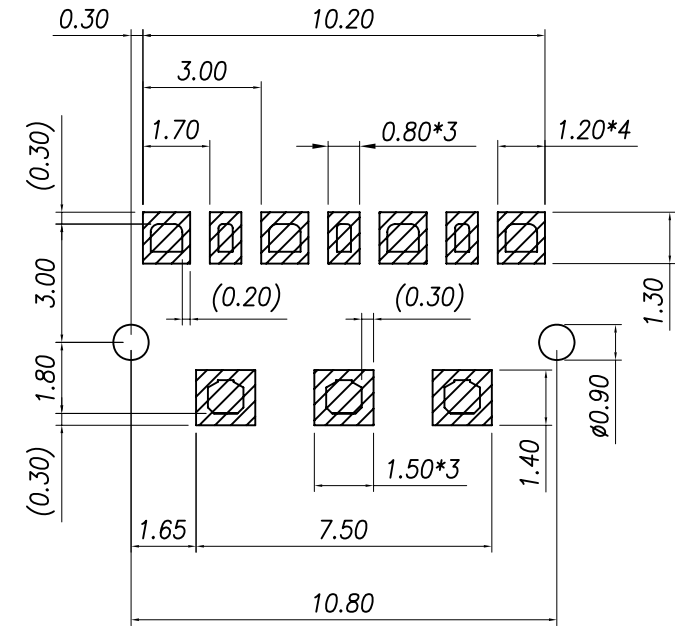
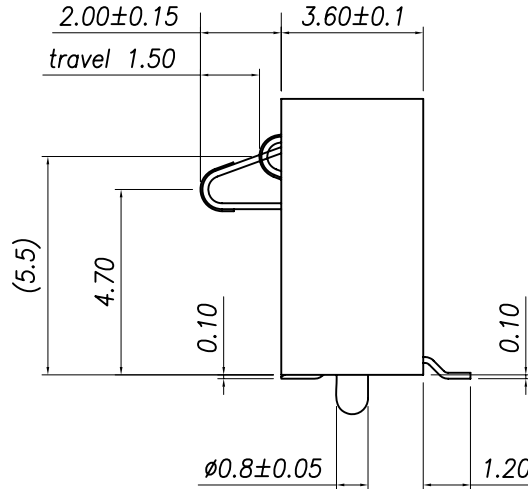
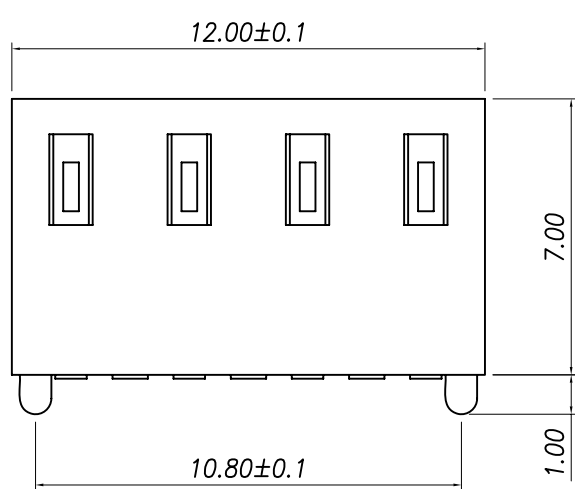


**RoHS**  
**Compatible**

成品圖

△				
△				
△				
△				
ZONE	REV	DESCRIPTION	DATE	APPD.

P.C.B Mounting  
pattern Dimension



**MATERIAL**  
 1.HOUSING : PA9T UL94V-0 ; COLOR:BLACK  
 2.TERMINALS : Ti-Cu ,t=0.15mm  
**PLATING:**  
 CONNECT AREA: 20u" Au. OVER Ni.  
 OTHER AREA: 80u" Sn. OVER Ni.  
 50u" Ni. OVERALL.  
 3.ANCHOR BRACKET : PHOSPHOR BRONZE ,t=0.15mm  
**PLATING:**  
 80u" Sn. OVER Ni.  
 50u" Ni. OVERALL.

達立科技股份有限公司

**Dawning Precision Co.,Ltd.**

TEL: 886-2-82271388 FAX: 886-2-82272198

DESIGN	Will	SCALE		
DRAWING	Will	UNIT	mm	
CHECK	SAM	SIZE	A4: 210*297	
APPROVAL	Eric	VERSION	01	

TOLERANCE UNLESS OTHERWISE STATED(mm)
less than 10 — ±0.15
10~30 — ±0.2
30~100 — ±0.3
ANGIE — ±2°

PART NAME	BATTERY CONNECTOR
PART NO	BC-04V-P3.0
DRAWING NO	
DATE	2010/05/28

www.dawning2.com.tw