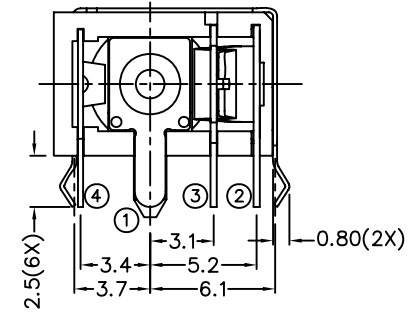
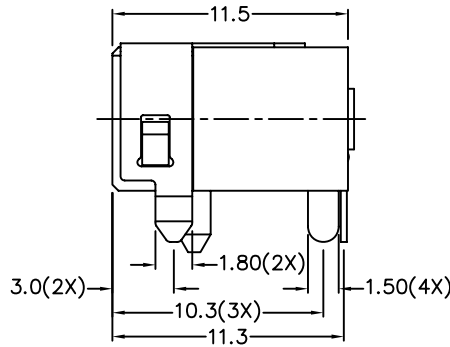
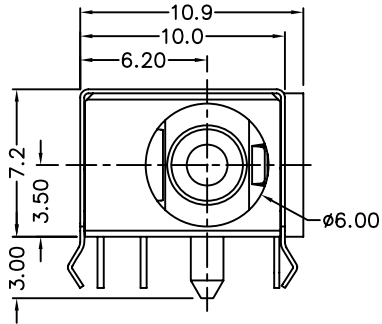
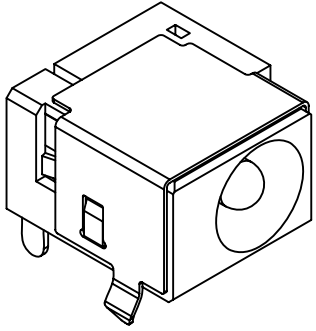


**RoHS**  
Compatible

發行  
2010.01.20  
達立

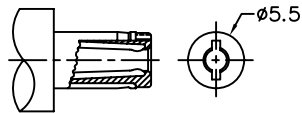
△				
△				
△				
△				
ZONE	REV	DESCRIPTION	DATE	APPD.



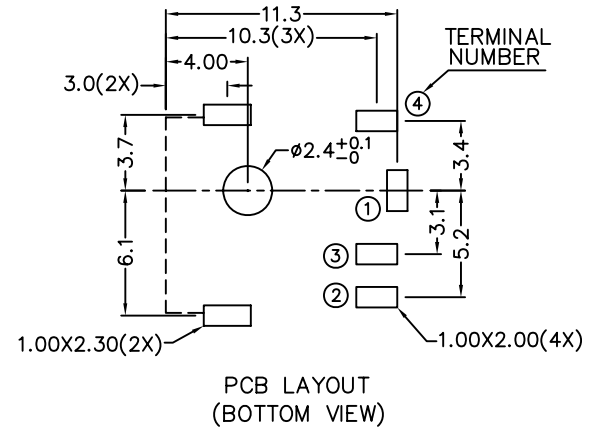
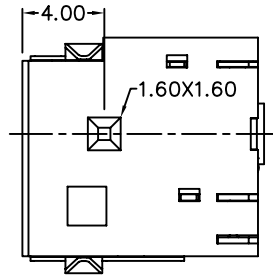
\* MATERIAL

- CENTRE PIN : COPPER
- TERMINAL 1 : BRASS
- TERMINAL 2 : COPPER ALLOY
- TERMINAL 3 : BRASS
- TERMINAL 4 : COPPER ALLOY
- SHIELD : BRASS
- HOUSING : PBT

MODEL NO.	DC-074S2
SCHEMATIC	
CENTER PIN	$\phi 1.65\text{mm}$
	$\phi 2\text{mm}$
	$\phi 2.5\text{mm}$



DC MATE PLUG



達立科技股份有限公司

Dawning Precision Co., Ltd.

TEL: 886-2-82271388 FAX: 886-2-82272198

DESIGN	Will	SCALE		
DRAWING	Will	UNIT	mm	
CHECK	Will	SIZE	A4: 210*297	
APPROVAL	Eric	VERSION	01	

TOLERANCE UNLESS OTHERWISE STATED(mm)
less than 10 — $\pm 0.2$
10~30 — $\pm 0.3$
30~100 — $\pm 0.5$
ANGIE — $\pm 2'$

PART NAME	DC POWER SOCKET
PART NO	DC-074S2
DRAWING NO	
DATE	2008/08/24

www.dawning2.com.tw