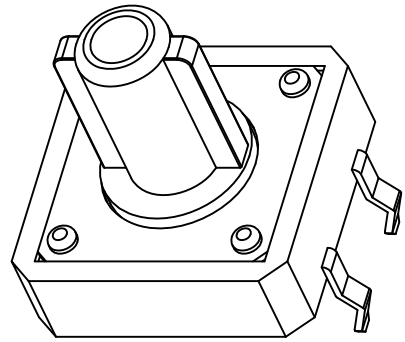
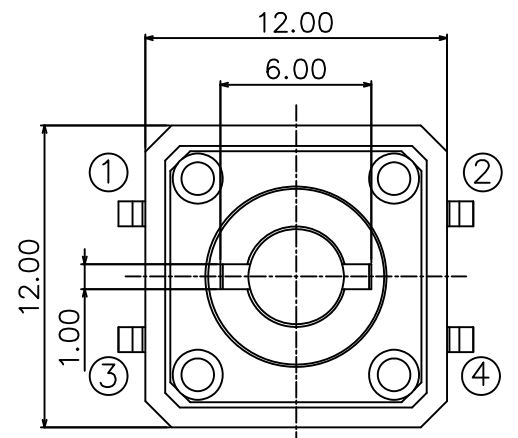


發行
2013.05.09
達立

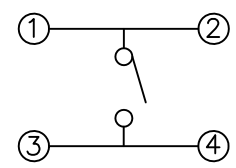
RoHS
Compatible

Order Information:
TS-A03A-x-S085 series
Operating Force

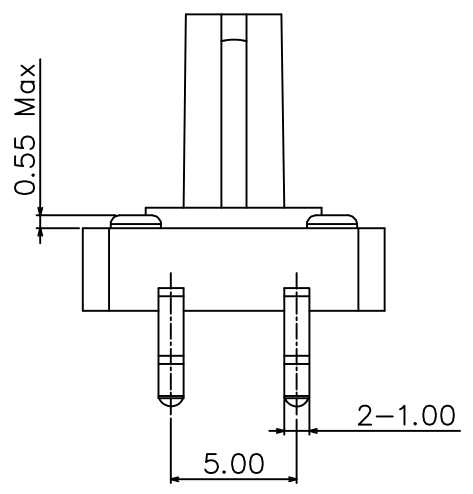
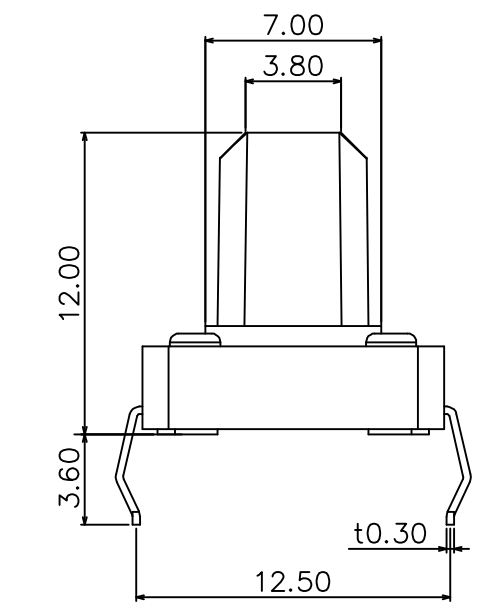
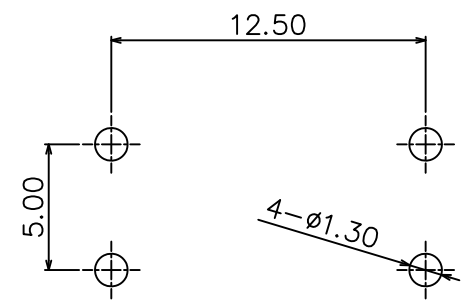
△				
△				
△				
△				
ZONE	REV	DESCRIPTION	DATE	APPD.



Circuit diagram



P.C.B Mounting pattern Dimension



Specifications

- 1.Rating : DC 12V, 50mA Max.
- 2.Circuit : 1C - 1P.
- 3.Travel : 0.3±0.15mm.
- 4.Contact resistance : 100mΩ Max.
- 5.Operating force : 2-160±50gf/3-250±50gf.
- 6.Operating life : 100,000 cycles Min.

5	Terminal	Brass	4	Ag Plated
4	Cover	Brass	1	Ag Plated
3	Contact	Phosphor Bronze	1	Ag Clad
2	Stem	PA66	1	Black
1	Base	PA66	1	Black
NO	Part Name	Material	Q'ty	Finishing

達立科技股份有限公司
Dawning Precision Co.,Ltd.
TEL: 886-2-82271388 FAX: 886-2-82272198

DESIGN	Frank	SCALE		
DRAWING	Frank	UNIT	mm	
CHECK	Frank	SIZE	A4: 210*297	
APPROVAL	Eric	VERSION	01	

TOLERANCE UNLESS OTHERWISE STATED(mm)	PART NAME	TACT SWITCH
less than 10 ±0.2	PART NO	TS-A03A-x-S085 series
10~30 ±0.3	DRAWING NO	
30~100 ±0.5	DATE	2013/05/09
ANGIE ±2'		

www.dawning2.com.tw