

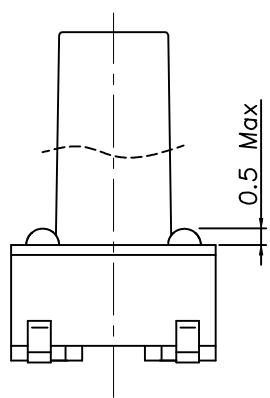
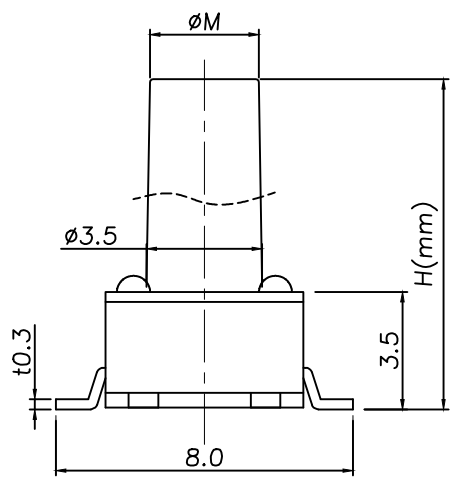
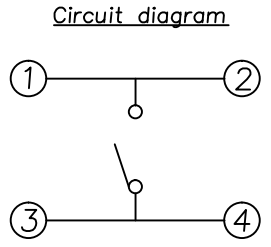
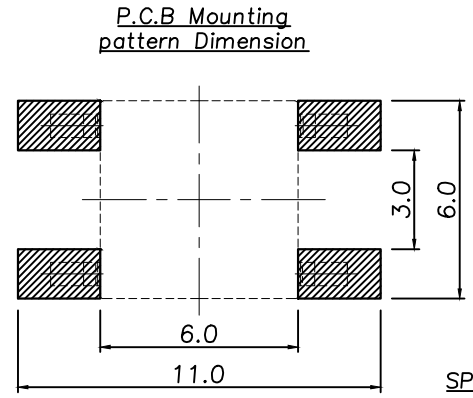
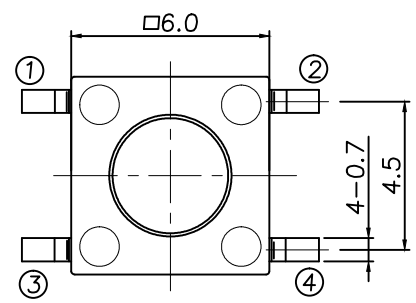
RoHS
Compatible

達立
2015.03.18
發行

△				
△				
△	02	Update drawing	092513	Frank
ZONE	REV	DESCRIPTION	DATE	APPD.

ORDER INFORMATION:
TS-A02Sx-x-S085
Force
Height

Model	H(mm)	øM(mm)
TS-A02S	4.3	3.5
TS-A02SAS	4.5	3.5
TS-A02SA	5.0	3.5
TS-A02SAL	5.5	3.4
TS-A02SI	6.0	3.4
TS-A02SQL	6.5	3.4
TS-A02SB	7.0	3.4
TS-A02SE	7.3	3.4
TS-A02SEL	7.5	3.4
TS-A02SC	8.0	3.4
TS-A02SR	8.5	3.4
TS-A02SDS	9.0	3.4
TS-A02SD	9.5	3.4
TS-A02SDL	10.0	3.0
TS-A02SKS	10.5	3.0
TS-A02SO	11.0	3.0
TS-A02SKL	11.5	3.0
TS-A02SFS	12.0	3.0
TS-A02SF	12.5	3.0
TS-A02SK	13.0	3.0
TS-A02SG	13.5	3.0
TS-A02SGL	14.0	3.0
TS-A02SX	14.5	3.0
TS-A02SY	15.0	3.0
TS-A02SZ	16.0	3.0
TS-A02SJ	16.3	3.0
TS-A02SH	17.0	3.0



SPECIFICATIONS

- Rating : 50mA 12V DC Max.
- Contact resistance : 100mΩ Max.
- Insulation resistance : 100MΩ Min, 100V DC.
- Withstanding voltage : 250V AC - 1minute.
- Travel : 0.25±0.1mm.
- Operating force :
0-100±30gf / 1-130±30gf
2-160±50gf / 3-250±50gf.
- Operating cycles : 100,000 cycles Min.

NO	Part Name	Material	Q"ty	Finishing
5	Case	PPA	1	Black
4	Contact	Phosphor Bronze	1	Ag Clad
3	Stem	PPA	1	Black
2	Terminal	Brass	4	Ag Plated
1	Cover	Brass	1	Sn Plated

達立科技股份有限公司
Dawning Precision Co., Ltd.
TEL: 886-2-82271388 FAX: 886-2-82272198

DESIGN	Frank	SCALE	
DRAWING	Frank	UNIT	mm
CHECK	Frank	SIZE	A4: 210*297
APPROVAL	Eric	VERSION	02

TOLERANCE UNLESS OTHERWISE STATED(mm)	PART NAME	TACT SWITCH
less than 5 ±0.2	PART NO	TS-A02Sx-x-S085 Series
5~10 ±0.3	DRAWING NO	
10~30 ±0.4	DATE	2013/09/25
ANGLE ±2°		

www.dawning2.com.tw