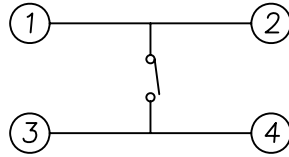


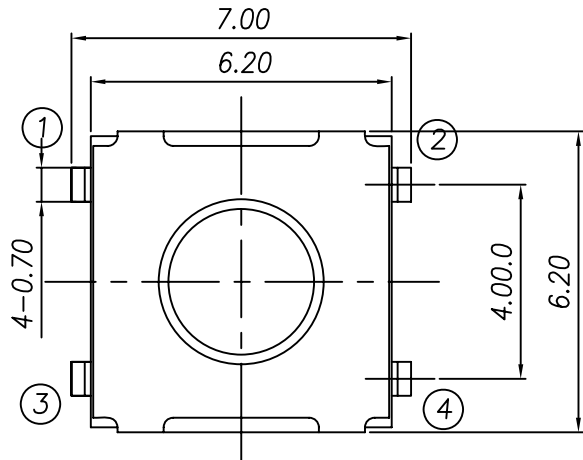
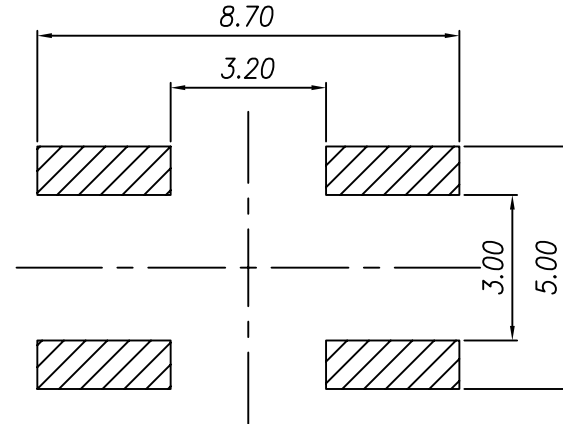
RoHS
Compatible

| | | | | |
|------|-----|-------------|------|-------|
| △ | | | | |
| △ | | | | |
| △ | | | | |
| △ | | | | |
| ZONE | REV | DESCRIPTION | DATE | APPD. |

Circuit Diagram



P.C.B Mounting pattern Dimension



| Model# | L(mm) |
|----------|-------|
| TS-A10U2 | 3.5 |
| TS-A10U3 | 5.2 |
| TS-A10U4 | 4.7 |

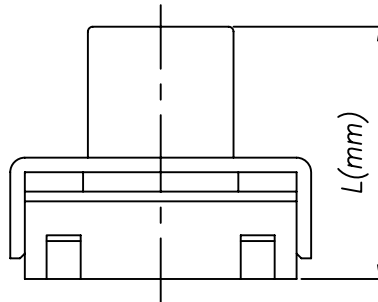
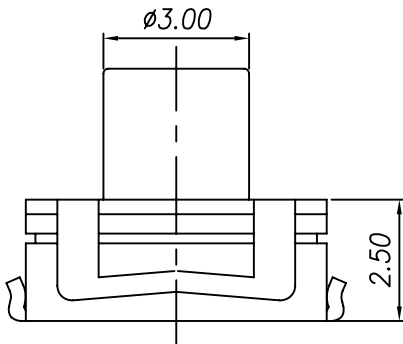
Order Information:
TS-A10U--S033

Force
Height

Specification

1. Rating : 50mA, DC12V Max.
2. Contact resistance : 100mΩ Max.
3. Bounce : 10m sec Max.
4. Travel : 0.3±0.1mm.
- 5.

| Model# | Operating Force | Life Cycles |
|-----------|-----------------|---------------|
| TS-A10U-2 | 160±50gf | 80,000 Cycles |
| TS-A10U-3 | 200±50gf | 80,000 Cycles |
| TS-A10U-4 | 300±50gf | 50,000 Cycles |



達立科技股份有限公司

Dawning Precision Co., Ltd.

TEL: 886-2-82271388 FAX: 886-2-82272198

| | | | | |
|----------|------|---------|-------------|--|
| DESIGN | Will | SCALE | | |
| DRAWING | Will | UNIT | mm | |
| CHECK | Will | SIZE | A4: 210*297 | |
| APPROVAL | Eric | VERSION | 01 | |

| |
|---------------------------------------|
| TOLERANCE UNLESS OTHERWISE STATED(mm) |
| less than 10 — ±0.2 |
| 10~30 — ±0.3 |
| 30~100 — ±0.5 |
| ANGIE — ±2° |

| | |
|------------|----------------|
| PART NAME | TACT SWITCH |
| PART NO | TS-A10U SERIES |
| DRAWING NO | |
| DATE | 2010/01/07 |