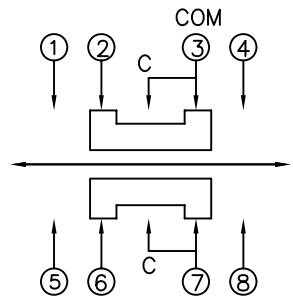


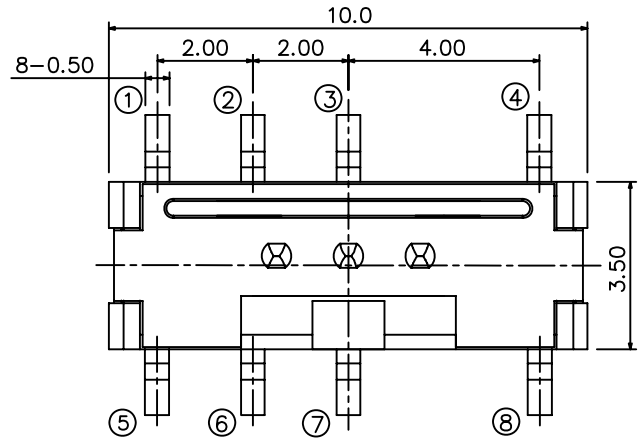
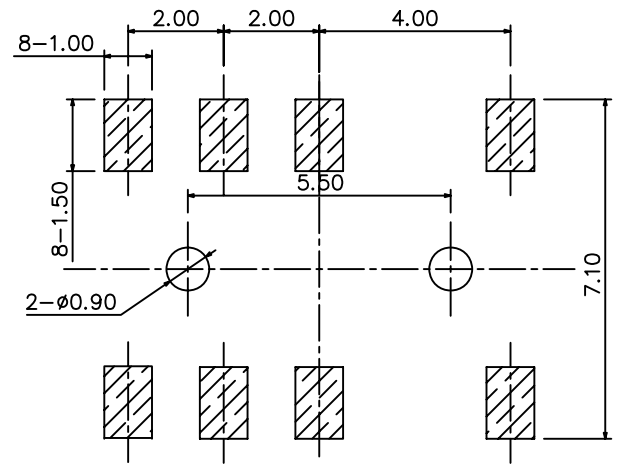
**RoHS**  
**Compatible**

△				
△				
△				
△				
ZONE	REV	DESCRIPTION	DATE	APPD.

Circuit Diagram

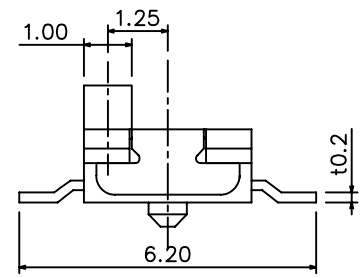
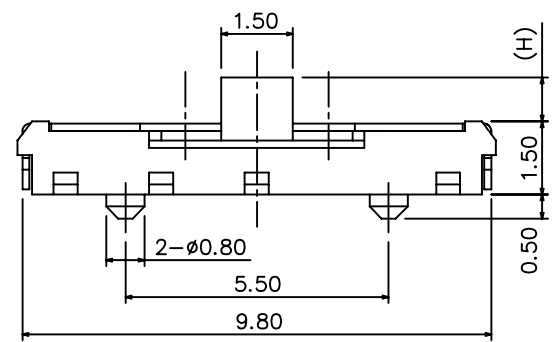


P.C.B Mounting pattern Dimensio



Knob Height

H	(L)mm
—	1.0
A	2.5



Specifications

1. Rating : 0.3A 4V DC
2. Contact resistance : 70mΩ Max.
3. Circuit : 2C-3P
4. Travel : 1.5±0.1mm
5. Timing : non-shorting
6. Operating force : 200±150gf
7. Operating life : 10,000 cycles

**達立科技股份有限公司**  
**Dawning Precision Co., Ltd.**  
TEL: 886-2-82271388 FAX: 886-2-82272198

DESIGN	Will	SCALE	
DRAWING	Will	UNIT	mm
CHECK	Will	SIZE	A4: 210*297
APPROVAL	Eric	VERSION	01

TOLERANCE UNLESS OTHERWISE STATED(mm)
less than 10 — ±0.2
10~30 — ±0.3
30~100 — ±0.5
ANGIE — ±2°

PART NAME	SLIDE SWITCH
PART NO	SS-C91-S033
DRAWING NO	
DATE	2010/01/26