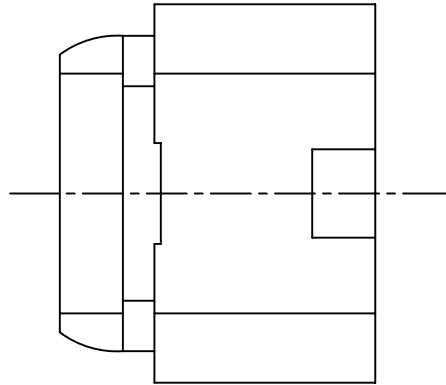
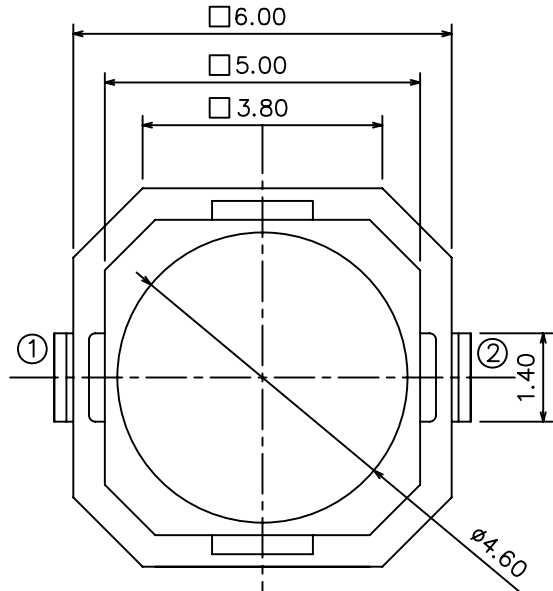
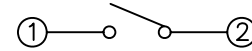


**RoHS**  
**Compatible**

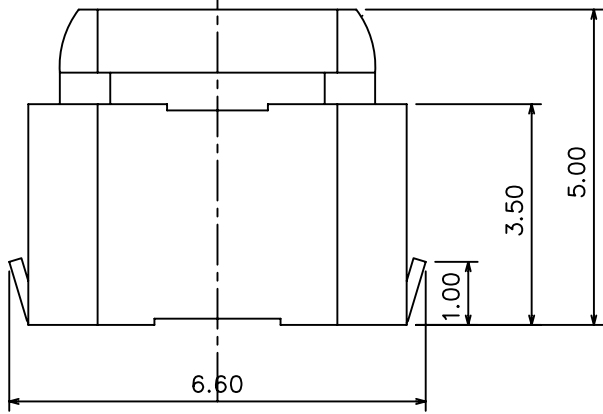
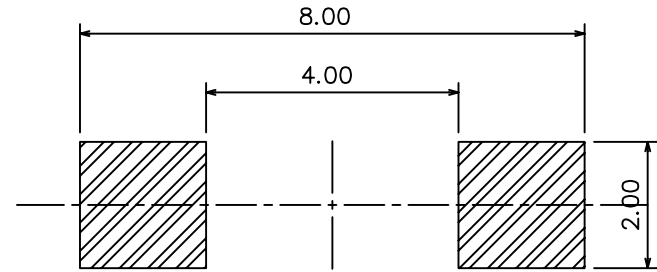
△				
△				
△				
△				
ZONE	REV	DESCRIPTION	DATE	APPD.



Circuit Diagram



P.C.B Mounting pattern Dimension



Specifications

1. Rating : 50mA, DC12V Max.
2. Circuit : 1C-1P
3. Travel : 1.3±0.2mm
4. Contact resistance : 500MΩ
5. Operating force : 250±70gf
6. Operating life : 100,000 cycles Min.

**達立科技股份有限公司**

**Dawning Precision Co., Ltd.**  
TEL: 886-2-82271388 FAX: 886-2-82272198

DESIGN	Will	SCALE		
DRAWING	Will	UNIT	mm	
CHECK	Will	SIZE	A4: 210*297	
APPROVAL	Eric	VERSION	01	

TOLERANCE UNLESS OTHERWISE STATED(mm)
less than 10 — ±0.2
10~30 — ±0.3
30~100 — ±0.5
ANGIE — ±2°

PART NAME	TACT SWITCH
PART NO	TS-A32U50A
DRAWING NO	
DATE	2007/08/22