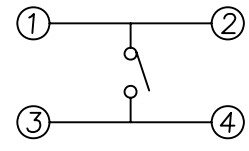


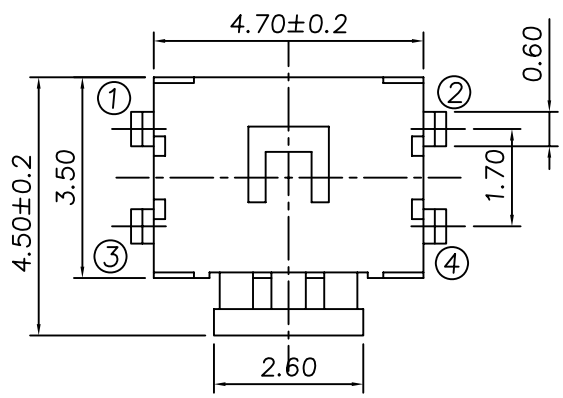
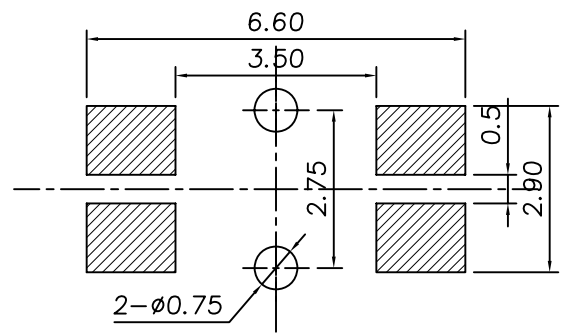
RoHS
Compatible

△				
△				
△				
△				
ZONE	REV	DESCRIPTION	DATE	APPD.

Circuit diagram



P.C.B Mounting pattern Dimension



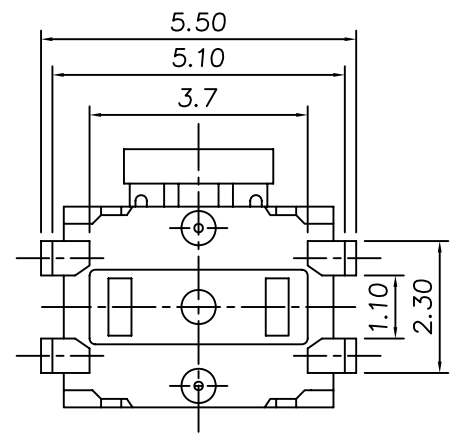
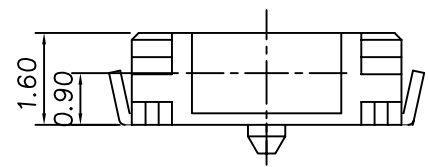
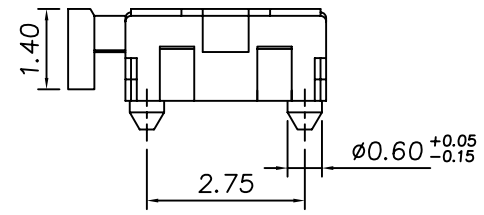
Order Information:
TS-A14U-__-S033

Force

Specification

1. Rating : 50mA, DC12V Max.
2. Contact resistance : 100mΩ Max.
3. Insulation resistance : 100MΩ Min.
4. Travel : 0.3^{+0.1}_{-0.05} mm
- 5.

Model	Operating Force	Life Cycles
TS-A14U-180	180±60gf	100,000 cycles
TS-A14U-220	220±60gf	100,000 cycles



6	Dust Cover	PI Film	1	—————
5	Contact	SUS	1	Ag Clad
4	Stem	PA6T	1	Black
3	Cover	SUS	1	—————
2	Terminal	Brass	4	Ag Plated
1	Case	PA6T	1	Black
NO	Part Name	Material	Q"ty	Finishing

達立科技股份有限公司
Dawning Precision Co., Ltd.
TEL: 886-2-82271388 FAX: 886-2-82272198

DESIGN	Will	SCALE		
DRAWING	Will	UNIT	mm	
CHECK	Will	SIZE	A4: 210*297	
APPROVAL	Eric	VERSION	01	

TOLERANCE UNLESS OTHERWISE STATED(mm)	PART NAME	TACT SWITCH
less than 10 — ±0.1	PART NO	TS-A14U SERIES
10~30 — ±0.2	DRAWING NO	
30~100 — ±0.3	DATE	2010/04/21
ANGIE — ±2°		