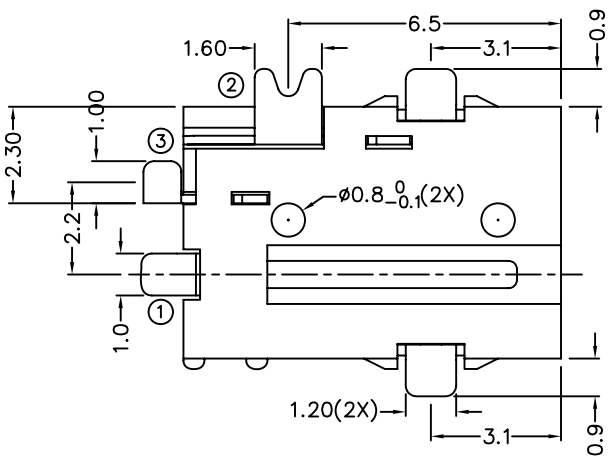
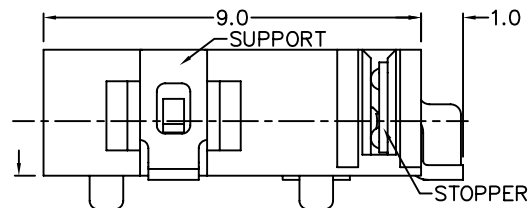
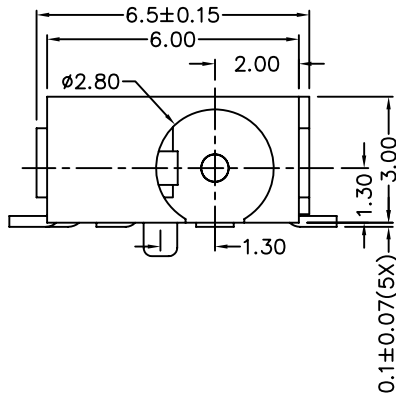
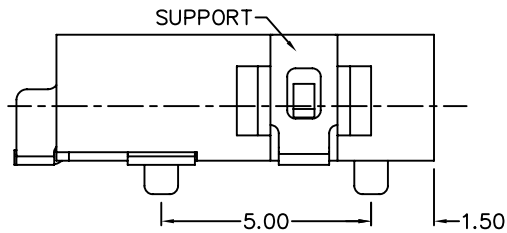
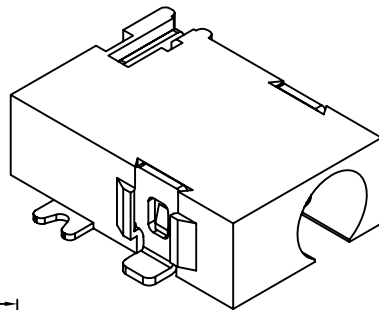


RoHS
Compatible

發行
2009.07.31
達立

△				
△				
△				
△				
ZONE	REV	DESCRIPTION	DATE	APPD.



* MATERIAL

TERMINAL 1 : BRASS

TERMINAL 2 : COPPER ALLOY

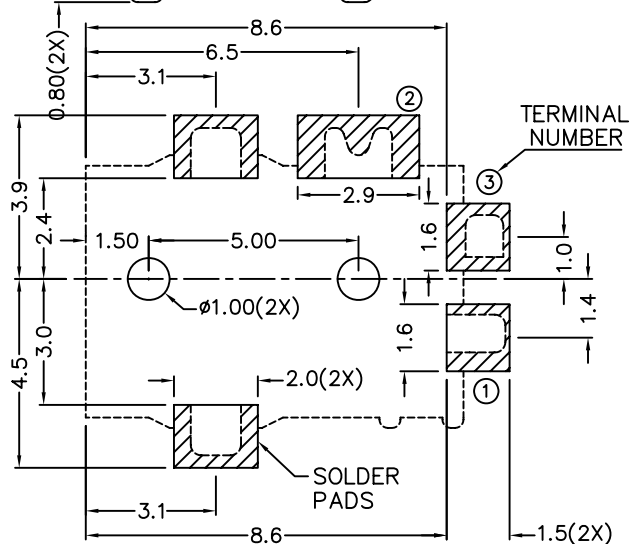
TERMINAL 3 : BRASS

SUPPORT : BRASS

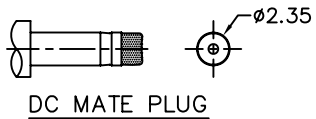
STOPPER : BRASS

HOUSING : PA6T

MODEL NO.	DC-057D
SCHMATIC	1 3 2
CENTER PIN	φ0.65mm



RECOMMENDED
SOLDER PAD LAYOUT



達立科技股份有限公司

Dawning Precision Co., Ltd.

TEL: 886-2-82271388 FAX: 886-2-82272198

DESIGN	Will	SCALE		
DRAWING	Will	UNIT	mm	
CHECK	Will	SIZE	A4: 210*297	
APPROVAL	Eric	VERSION	01	

TOLERANCE UNLESS OTHERWISE STATED(mm)
less than 10 — ±0.2
10~30 — ±0.3
30~100 — ±0.5
ANGIE — ±2°

PART NAME	DC POWER SOCKET
PART NO	DC-057D
DRAWING NO	
DATE	2009/06/08