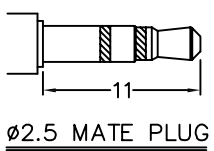
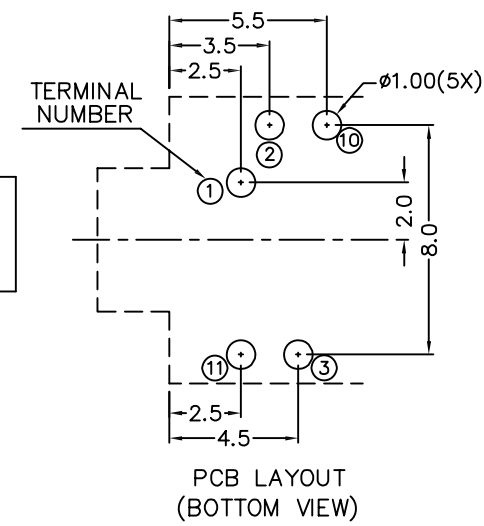
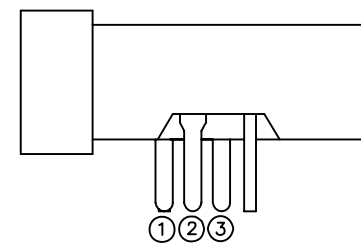
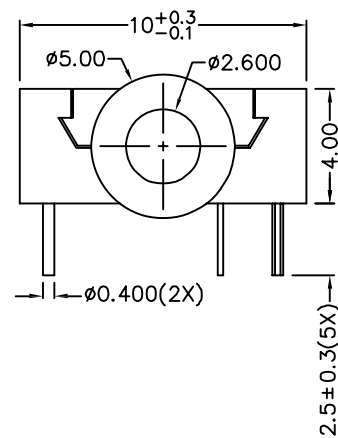
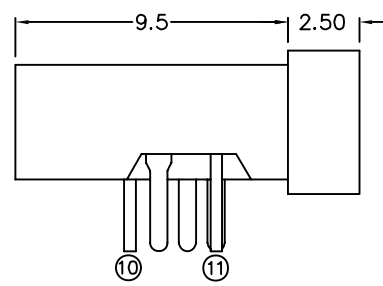
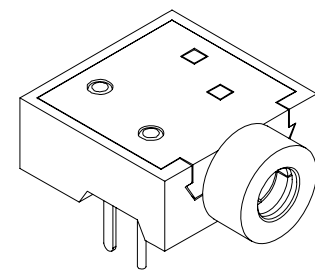


RoHS
Compatible

▲				
▲				
▲				
▲				
ZONE	REV	DESCRIPTION	DATE	APPD.



MODEL NO.	PJ-2655	PJ-2654A	PJ-2654B	PJ-2653	PJ-2653A	PJ-2652
SCHEMATIC						

*** MATERIAL**
 TERMINAL 1 : BRASS
 TERMINAL 2 : COPPER ALLOY
 TERMINAL 3 : COPPER ALLOY
 TERMINAL 10 : COPPER ALLOY
 TERMINAL 11 : COPPER ALLOY
 BUSHING : BRASS
 HOUSING : PA66
 COVER : PA66

達立科技股份有限公司
Dawning Precision Co., Ltd.
 TEL: 886-2-82271388 FAX: 886-2-82272198

DESIGN	Will	SCALE		
DRAWING	Will	UNIT	mm	
CHECK	Will	SIZE	A4: 210*297	
APPROVAL	Eric	VERSION	01	

TOLERANCE UNLESS OTHERWISE STATED(mm) less than 10 — ±0.2 10~30 — ±0.3 30~100 — ±0.5 ANGLE — ±2°	PART NAME	PHONE JACK
	PART NO	PJ-265 SERIES
	DRAWING NO	
	DATE	2009/12/01