

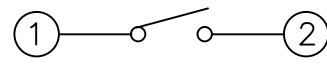
RoHS
Compatible

| | | | | |
|------|-----|-------------|------|-------|
| △ | | | | |
| △ | | | | |
| △ | | | | |
| △ | | | | |
| ZONE | REV | DESCRIPTION | DATE | APPD. |

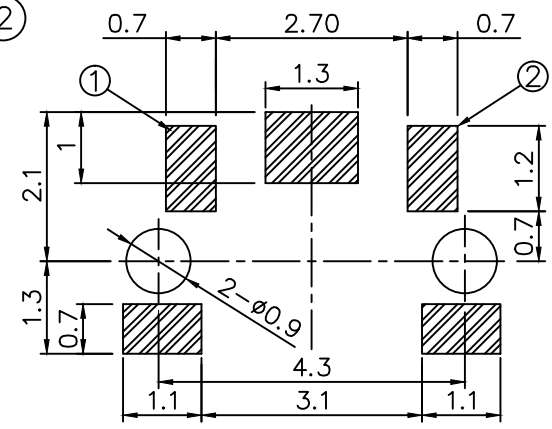
Order information

TS-A00A-2-S085
Force
Modle type

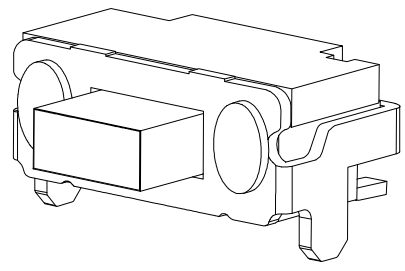
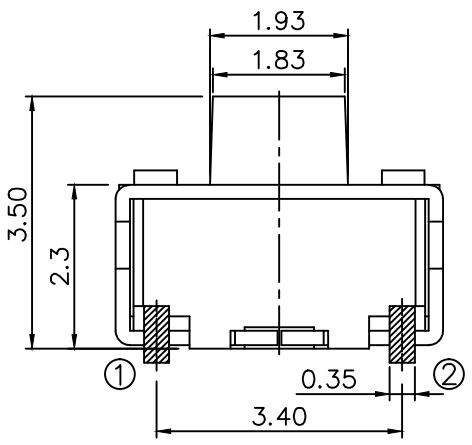
CIRCUIT DIAGRAM



P.C.B MOUNTING
PATTERN DIMENSION



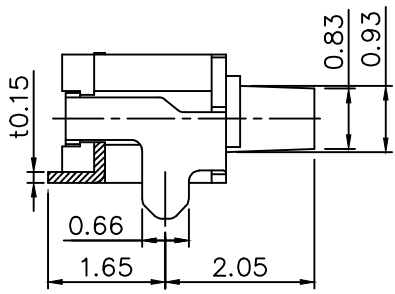
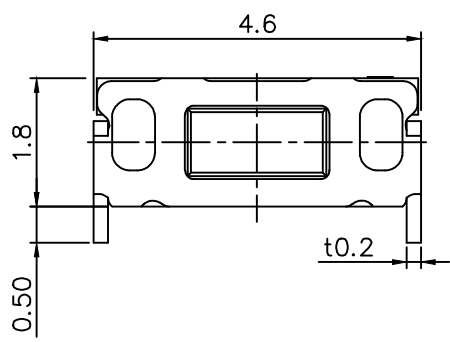
發行
2014.08.29
達立



Specification

1. Rating : 50mA, DC12V Max.
2. Contact Resistance : 100mΩ Max.
3. Insulation Resistance : 100MΩ Min.
4. Travel : 0.2±0.1mm
- 5.

| Model | Operating Force | Life Cycle |
|-----------|-----------------|----------------|
| TS-A00A-2 | 160±50gf | 100,000 cycles |



| | | | | |
|----|-----------|----------|------|-----------|
| 5 | Terminal | PBS | 4 | Ag Plated |
| 4 | Contact | SUS | 1 | Ag Plated |
| 3 | Case | LCP | 1 | White |
| 2 | Cover | PBS | 1 | Ag Plated |
| 1 | Stem | LCP | 1 | Black |
| NO | Part Name | Material | Q'ty | Finishing |

達立科技股份有限公司
Dawning Precision Co.,Ltd.
TEL: 886-2-82271388 FAX: 886-2-82272198

| | | | |
|----------|------|---------|-------------|
| DESIGN | Ross | SCALE | |
| DRAWING | Ross | UNIT | mm |
| CHECK | Elsa | SIZE | A4: 210*297 |
| APPROVAL | Eric | VERSION | 01 |

| | | |
|---------------------------------------|------------|----------------|
| TOLERANCE UNLESS OTHERWISE STATED(mm) | PART NAME | TACT SWITCH |
| less than 10 — ±0.2 | PART NO | TS-A00A-2-S085 |
| 10~30 — ±0.3 | DRAWING NO | |
| 30~100 — ±0.5 | DATE | 2014/08/29 |
| ANGLE — ±2° | | |