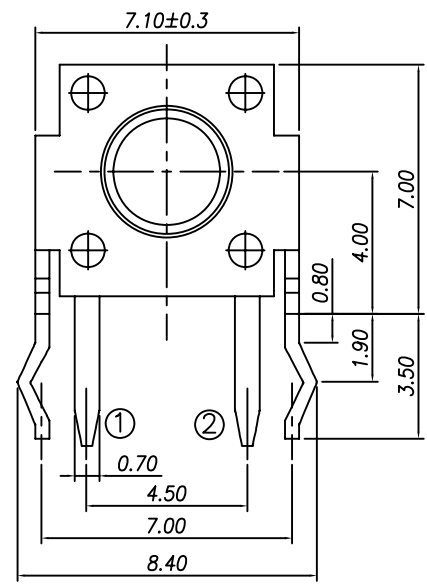
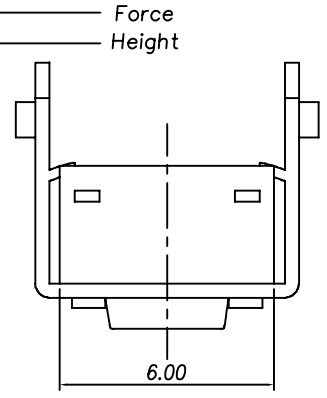
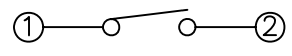


▲				
▲				
▲				
▲				
ZONE	REV	DESCRIPTION	DATE	APPD.

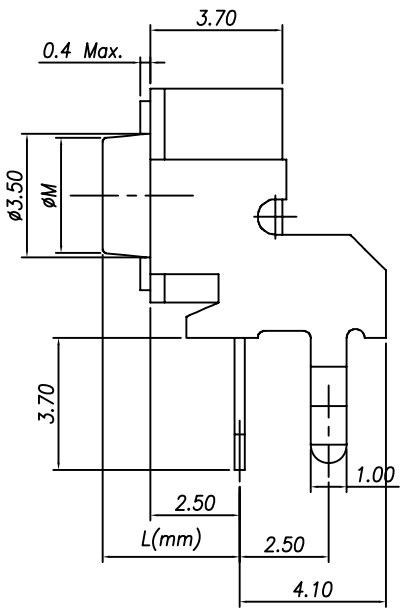
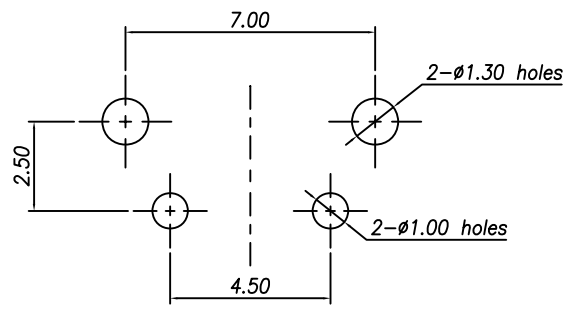
Order Information:
TS-A02V--S017



Circuit Diagram



P.C.B Mounting pattern Dimension



Specifications

1. Rating : 12V 50mA Max.
2. Contact resistance: 100mΩ Max.
3. Insulation resistance : 100MΩ Min.
4. Travel : 0.25 +0.2/-0.1mm
5. Operating life : 100,000 cycles
- 6.

RoHS
Compatible

Model	L	M	Stem Color	O/Force
TS-A02V-1	3.15	φ3.5	Brown	100±30gf
TS-A02VA-1	3.85	φ3.5		
TS-A02VB-1	5.85	φ3.3		
TS-A02VC-1	6.85	φ3.2		
TS-A02VD-1	8.35	φ3.1		
TS-A02VE-1	6.15	φ3.25		
TS-A02VH-1	15.85	φ2.8		
TS-A02VR-1	7.35	φ3.09		
TS-A02VK-1	11.85	φ2.87		
Model	L	M	Stem Color	O/Force
TS-A02V-2	3.15	φ3.5	White	160±50gf
TS-A02VA-2	3.85	φ3.5	Black	
TS-A02VB-2	5.85	φ3.3	Blue	
TS-A02VC-2	6.85	φ3.2	White	
TS-A02VD-2	8.35	φ3.1	Black	
TS-A02VE-2	6.15	φ3.25	Ivory	
TS-A02VH-2	15.85	φ2.8	Black	
TS-A02VR-2	7.35	φ3.09	Black	
TS-A02VK-2	11.85	φ2.87	Black	
Model	L	M	Stem Color	O/Force
TS-A02V-3	3.15	φ3.5	Red	260±50gf
TS-A02VA-3	3.85	φ3.5		
TS-A02VB-3	5.85	φ3.3		
TS-A02VC-3	6.85	φ3.2		
TS-A02VD-3	8.35	φ3.1		
TS-A02VE-3	6.15	φ3.25		
TS-A02VH-3	15.85	φ2.8		
TS-A02VR-3	7.35	φ3.09		
TS-A02VK-3	11.85	φ2.87		

5	Contact Plate	Phosphor Bronze	1	Ag Plated
4	Stem	Nylon66	1	-
3	Bracket	SPTE	1	Sn Plated
2	Terminal	Brass	2	Ag Plated
1	Case	Nylon 66	1	Black
NO	Part Name	Material	Q'ty	Finishing

達立科技股份有限公司
Dawning Precision Co., Ltd.
TEL: 886-2-82271388 FAX: 886-2-82272198

DESIGN	Will	SCALE		
DRAWING	Will	UNIT	mm	
CHECK	Will	SIZE	A4: 210*297	
APPROVAL	Eric	VERSION	01	

TOLERANCE UNLESS OTHERWISE STATED(mm)	PART NAME	TACT SWITCH
less than 10 — ±0.3	PART NO	TS-A02V SERIES
10~30 — ±0.4	DRAWING NO	
30~100 — ±0.5	DATE	2010/11/18
ANGIE — ±2°		