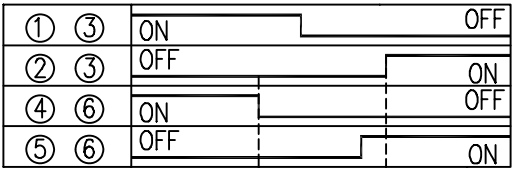


RoHS
Compatible

▲				
▲				
▲				
▲				
ZONE	REV	DESCRIPTION	DATE	APPD.

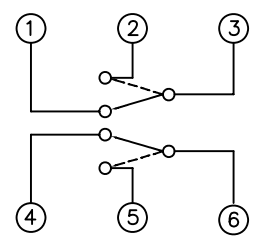
TIME LAG DIAGRAM (NON-SHORTING)



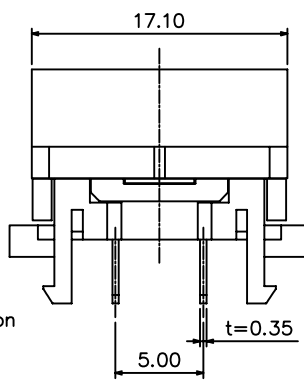
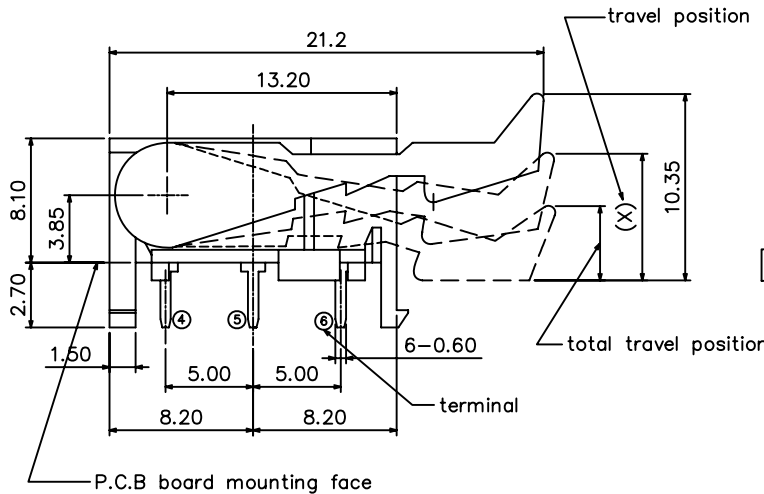
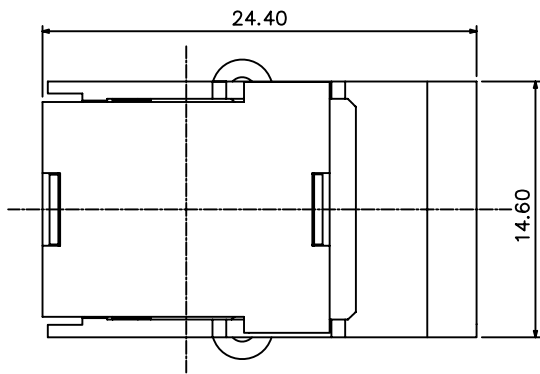
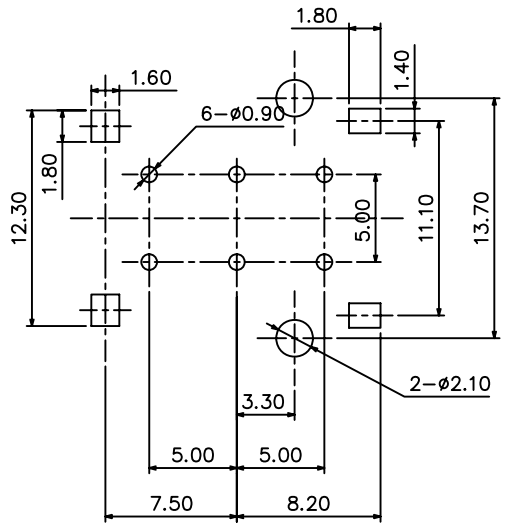
9.35 max. 5.15 min. (mm)

TRAVEL POSITION(X)

Circuit diagram



P.C.B Mounting
pattern Dimension



Specification

1. Rating : 0.2A, DC12V max.
2. Circuit : 2C-2P
3. Contact resistance : 100mΩ max.
4. Operating force : 70gf max.
5. Operating life : 300,000 cycles

達立科技股份有限公司
Dawning Precision Co., Ltd.
TEL: 886-2-82271388 FAX: 886-2-82272198

DESIGN	Will	SCALE		
DRAWING	Will	UNIT	mm	
CHECK	Will	SIZE	A4: 210*297	
APPROVAL	Eric	VERSION	01	

TOLERANCE UNLESS OTHERWISE STATED(mm)	PART NAME	HOOK SWITCH
less than 10 — ±0.2	PART NO	HS-D40C
10~30 — ±0.3	DRAWING NO	
30~100 — ±0.5	DATE	2009/12/30
ANGIE — ±2°		