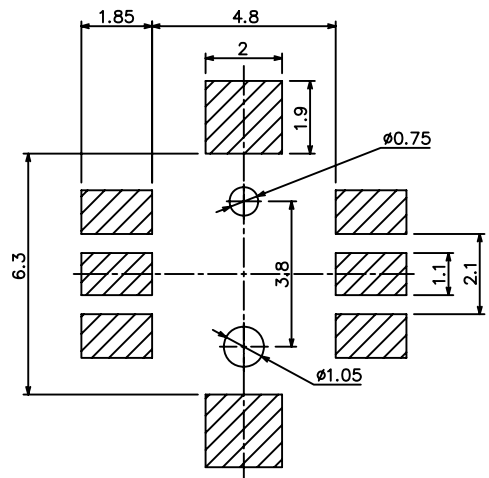


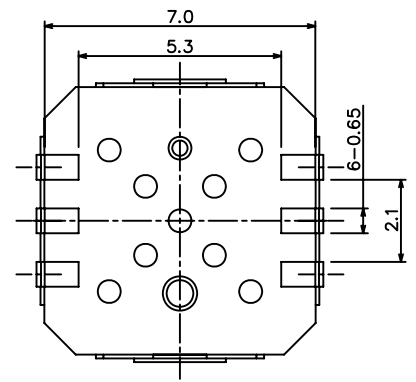
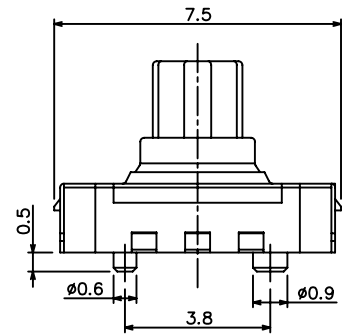
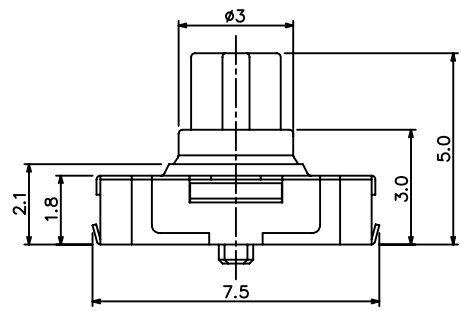
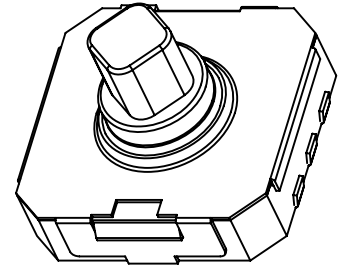
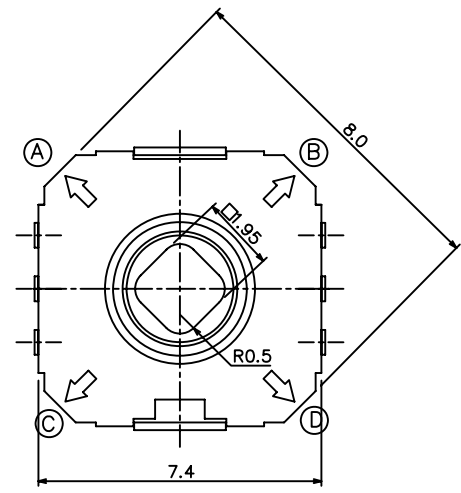
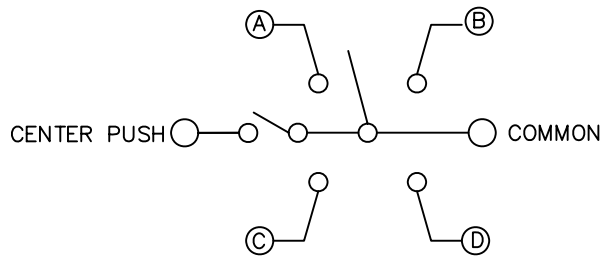
RoHS
Compatible

▲				
▲				
▲				
▲				
ZONE	REV	DESCRIPTION	DATE	APPD.

P.C.B Mounting pattern Dimension



Circuit diagram



Specifications

- Operating Force
 - 4-Directoin : 160±50gf
 - Center : 240±50gf
- Travel
 - 4-Direction : 0.25±0.1mm
 - Center : 0.15±0.1mm
- Rating : 50mA,12V DC Max.
- Initial Contact Resistance : 500mΩ Max.
- Life Time : Each 100,000 Cycles

達立科技股份有限公司
Dawning Precision Co.,Ltd.
TEL: 886-2-82271388 FAX: 886-2-82272198

DESIGN	Will	SCALE		
DRAWING	Will	UNIT	mm	
CHECK	Will	SIZE	A4: 210*297	
APPROVAL	Eric	VERSION	01	

TOLERANCE UNLESS OTHERWISE STATED(mm)
less than 10 — ±0.2
10~30 — ±0.3
30~100 — ±0.5
ANGIE — ±2°

PART NAME	MULTIFUNCTION SWITCH
PART NO	K03
DRAWING NO	
DATE	2010/02/02