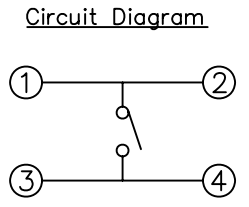
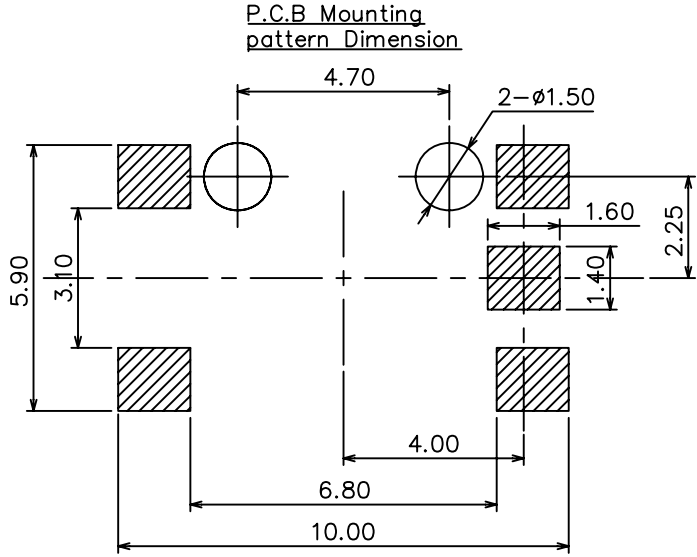
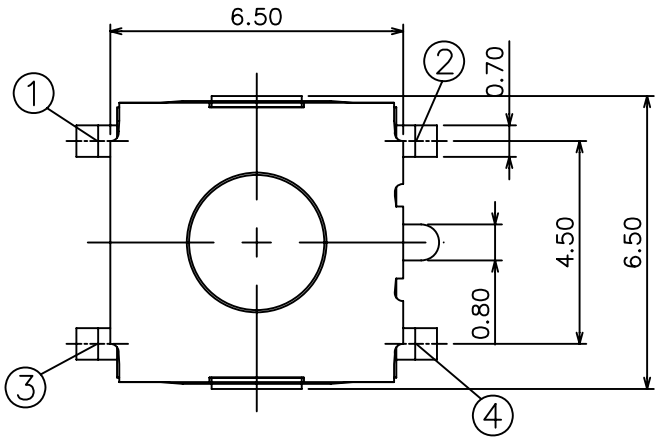


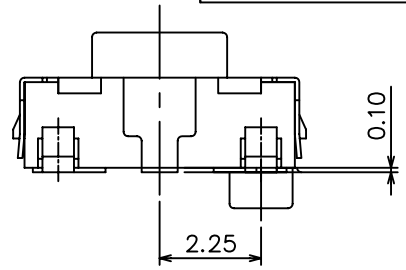
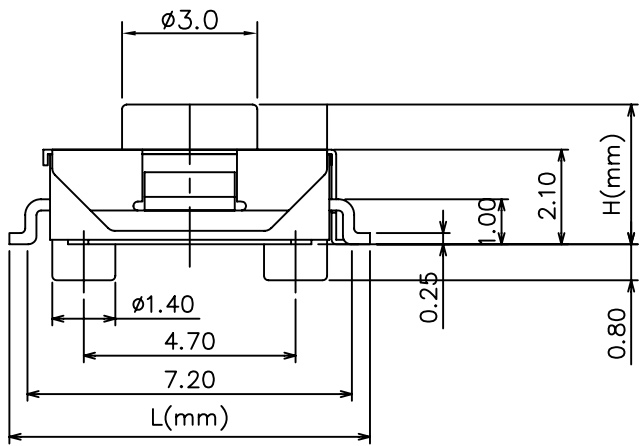
RoHS
Compatible

△				
△				
△				
△				
ZONE	REV	DESCRIPTION	DATE	APPD.



Order Code Explanation :

TS-A57□□□□	Item	Code
□	With Ground Cove, Without Ground Cover	P, D
□	With Embossing Case, Without Embossing	E, N
□	Stem Height(H) : 2.5 , 3.1	S, H
□	Terminal Lengh(L) : 8.0, 10.0	A, B



Specification

1. Rating : 50mA, DC12V Max.
2. Contact Resistance : 100mΩ Max.
3. Bounce : 10m sec Max.
4. Travel : 0.25±0.1mm.
- 5.

Model#	Operating force	Life Cycles
TS-A57-1	130±50gf	80,000 Cycles
TS-A57-2	160±50gf	80,000 Cycles
TS-A57-3	250±50gf	50,000 Cycles

達立科技股份有限公司
Dawning Precision Co., Ltd.
TEL: 886-2-82271388 FAX: 886-2-82272198

DESIGN	Will	SCALE		
DRAWING	Will	UNIT	mm	
CHECK	Will	SIZE	A4: 210*297	
APPROVAL	Eric	VERSION	01	

TOLERANCE UNLESS OTHERWISE STATED(mm)	PART NAME	TACT SWITCH
less than 10 — ±0.2	PART NO	TS-A57 series
10~30 — ±0.3	DRAWING NO	
30~100 — ±0.5	DATE	2009/08/06
ANGIE — ±2°		