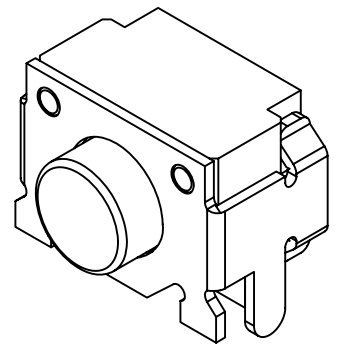


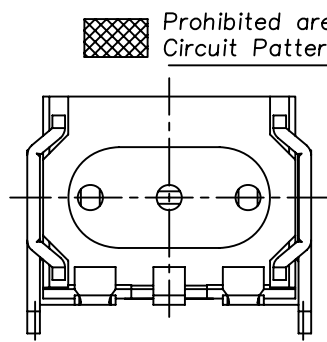
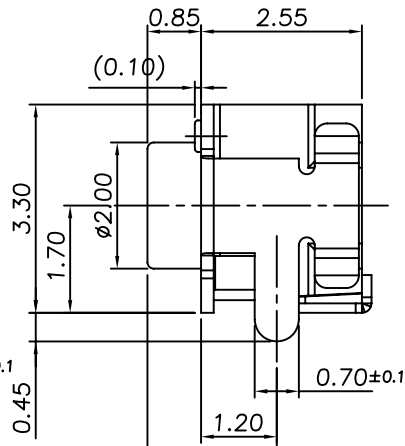
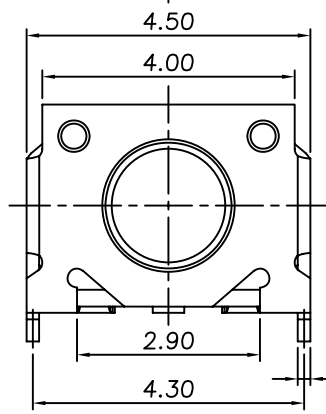
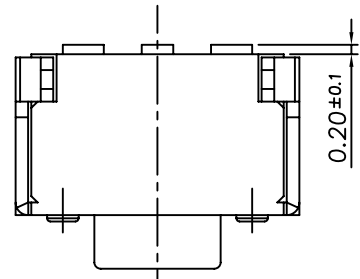
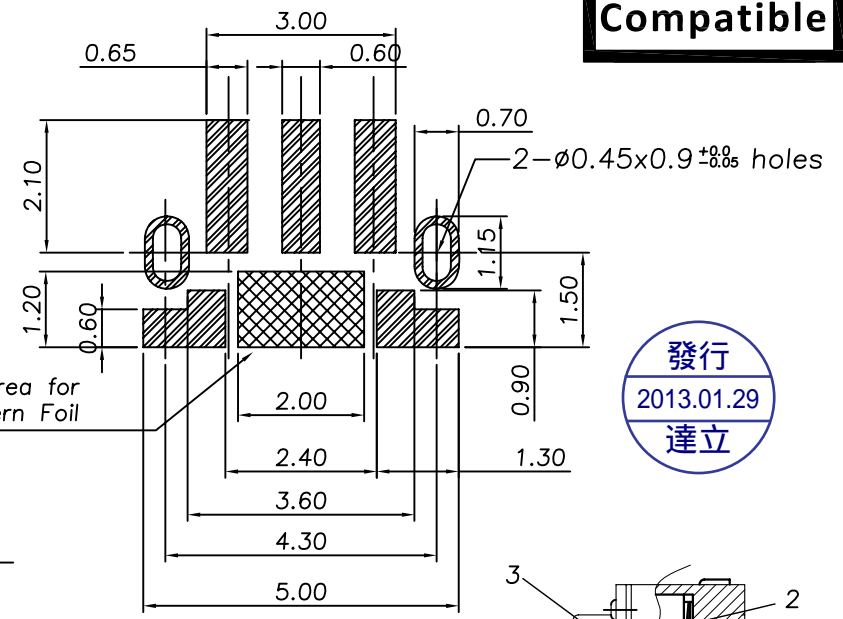
**RoHS**  
**Compatible**

發行  
2013.01.29  
達立

△				
△				
△				
△				
ZONE	REV	DESCRIPTION	DATE	APPD.

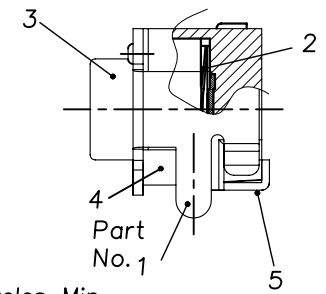


P.C.B Mounting  
pattern Dimension

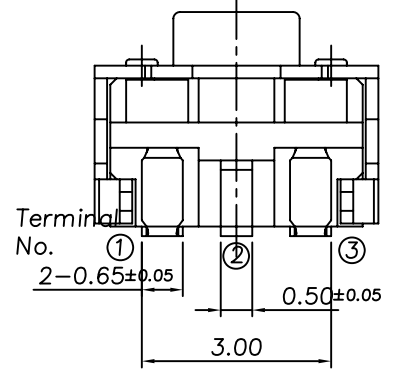
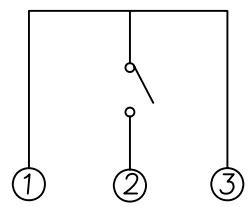


Specification

1. Rating : 50mA, DC12V Max.
2. Contact resistance : 500m $\Omega$  Max.
3. Bounce : 10m sec Max.
4. Travel : 0.2 $\pm$ 0.1mm.
5. Operating force : 160 $\pm$ 50gf
6. Operating life cycles : 100,000 cycles Min.



Circuit diagram



5	Terminal	Brass	1	Ag Plated 1.0 $\mu$ m Min.
4	T-Case	PPA	1	Black
3	Stem	PPA	1	Ivory
2	Contact	Stainless	3	Ag Clad 0.5 $\mu$ m Min.
1	Cover	SPTe	1	Sn Plated 2.0 $\mu$ m Min.
No.	Part Name	Material	Q'ty	Finishing

**達立科技股份有限公司**  
**Dawning Precision Co., Ltd.**  
TEL: 886-2-82271388 FAX: 886-2-82272198

DESIGN	Will	SCALE	
DRAWING	Will	UNIT	mm
CHECK	Will	SIZE	A4: 210*297
APPROVAL	Eric	VERSION	01

TOLERANCE UNLESS OTHERWISE STATED(mm)	PART NAME	TACT SWITCH
less than 10 $\pm$ 0.2	PART NO	TSS31-EG-160-T20
10~30 $\pm$ 0.3	DRAWING NO	
30~100 $\pm$ 0.5	DATE	2009/01/23
ANGIE $\pm$ 2'		