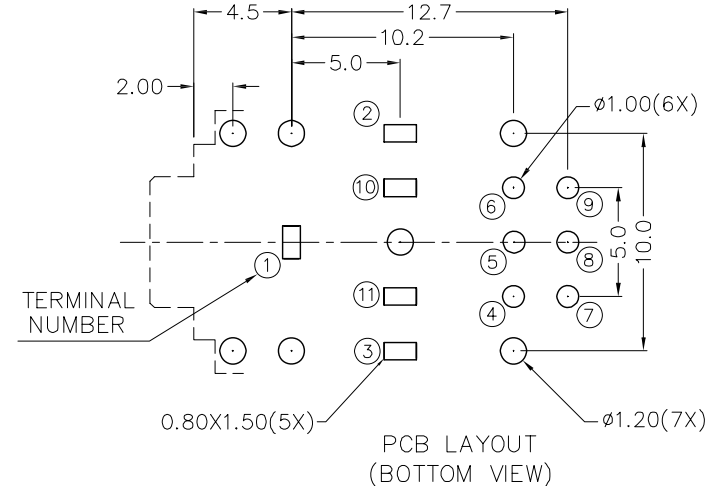
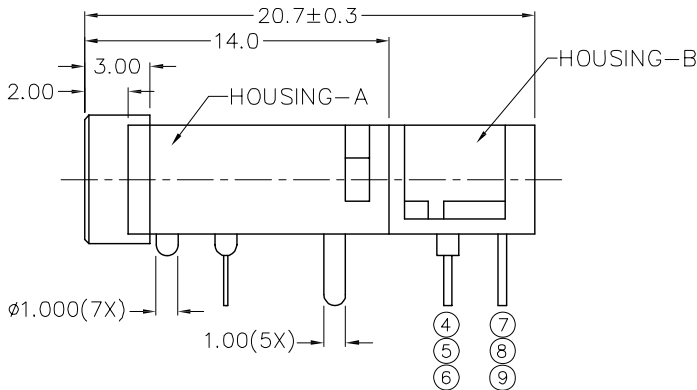
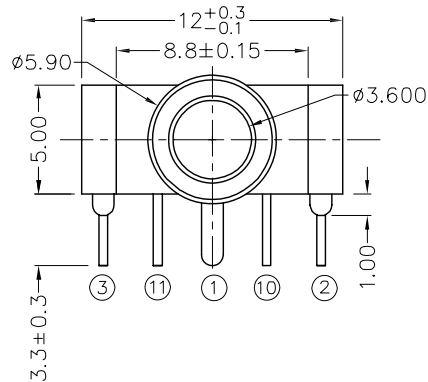
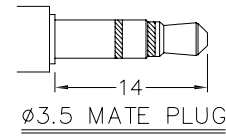
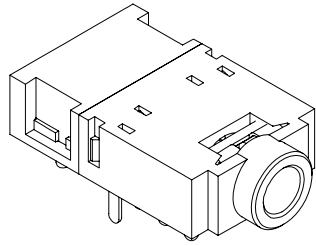


**RoHS**  
**Compatible**

▲				
▲				
▲				
▲				
ZONE	REV	DESCRIPTION	DATE	APPD.



- \*MATERIAL**
- TERMINAL 1 : COPPER ALLOY
  - TERMINAL 2 : COPPER ALLOY
  - TERMINAL 3 : COPPER ALLOY
  - TERMINAL 10 : BRASS
  - TERMINAL 11 : BRASS
  - TERMINAL 4,5,6,7,8,9 : BRASS
  - HOUSING-A : PBT
  - HOUSING-B : PBT
  - INSULATOR : PBT
  - PIN BOARD : PBT
  - CONTACT CLIP : C5210R-EH AG CLAD

MODEL NO.	PJ-3615-22	PJ-3614A-22	PJ-3614B-22	PJ-3613-22	PJ-3613A-22	PJ-3612-22
SCHEMATIC						

**達立科技股份有限公司**  
**Dawning Precision Co., Ltd.**  
TEL: 886-2-82271388 FAX: 886-2-82272198

DESIGN	Will	SCALE		
DRAWING	Will	UNIT	mm	
CHECK	Will	SIZE	A4: 210*297	
APPROVAL	Eric	VERSION	01	

TOLERANCE UNLESS OTHERWISE STATED(mm)	PART NAME	PHONE JACK
less than 10 ±0.2	PART NO	PJ-361-22 SERIES
10~30 ±0.3	DRAWING NO	
30~100 ±0.5	DATE	2009/11/24
ANGIE ±2'		