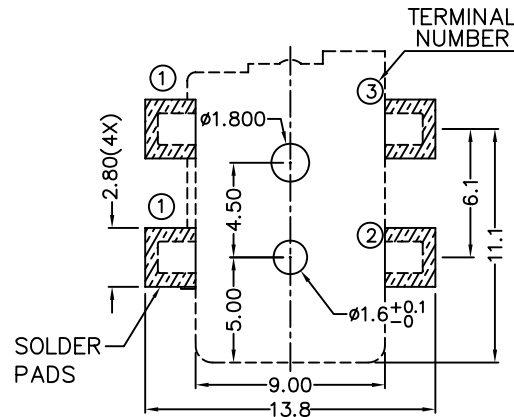
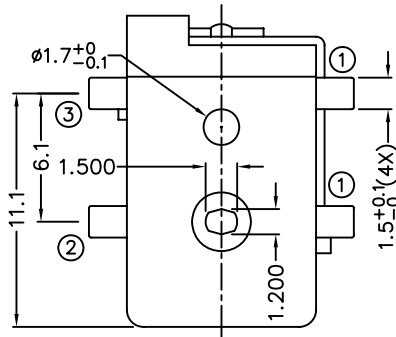
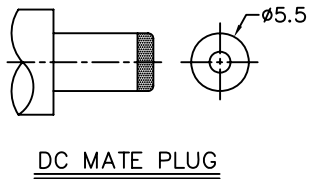
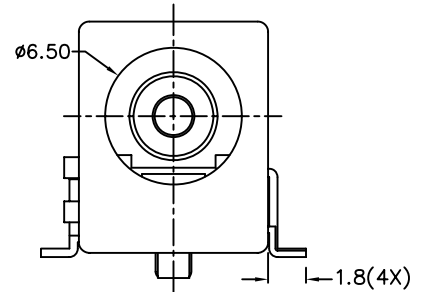
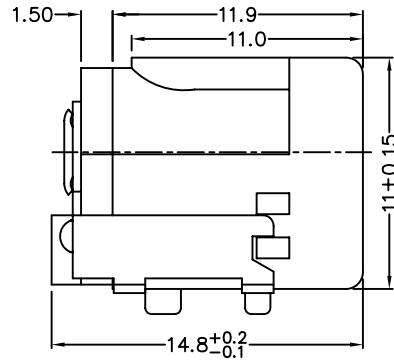
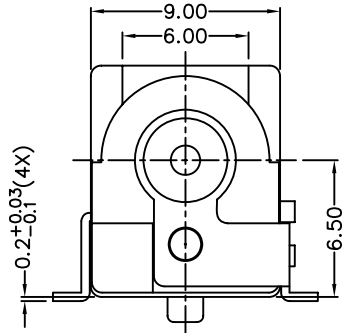
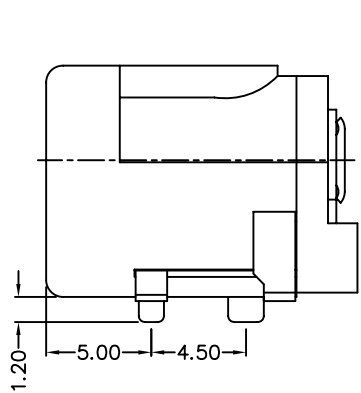
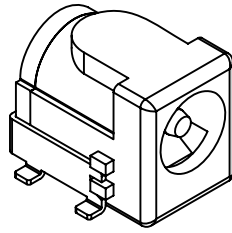


RoHS
Compatible

▲				
▲				
▲				
▲				
ZONE	REV	DESCRIPTION	DATE	APPD.



*** MATERIAL:**
 CENTRE PIN: COPPER
 TERMINAL 1 : BRASS
 TERMINAL 2 : COPPER ALLOY
 TERMINAL 3 : BRASS
 COVER : PA6T
 HOUSING : PA6T

MODEL NO.	DC-016
SCHMATIC	
CENTER PIN	ø2mm
	ø2.5mm

達立科技股份有限公司

Dawning Precision Co., Ltd.

TEL: 886-2-82271388 FAX: 886-2-82272198

DESIGN	Will	SCALE			TOLERANCE UNLESS OTHERWISE STATED(mm)
DRAWING	Will	UNIT	mm		less than 10 — ±0.2
CHECK	Will	SIZE	A4: 210*297		10~30 — ±0.3
APPROVAL	Eric	VERSION	01		30~100 — ±0.5
					ANGIE — ±2°

PART NAME	DC POWER SOCKET
PART NO	DC-016
DRAWING NO	
DATE	2009/06/06

www.dawning2.com.tw