

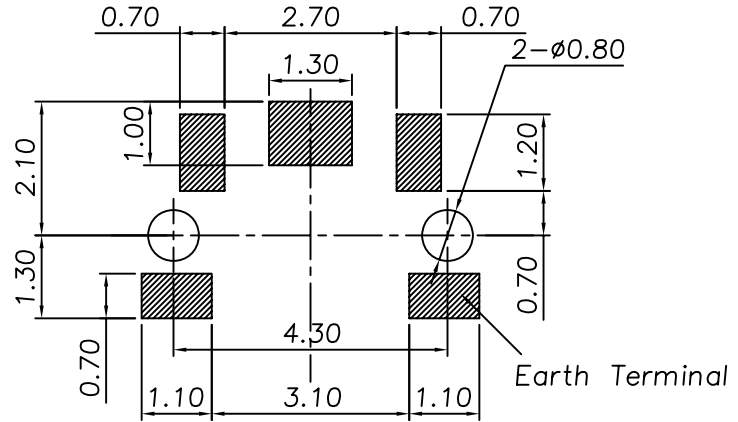
**RoHS**  
**Compatible**

△				
△				
△				
△				
ZONE	REV	DESCRIPTION	DATE	APPD.

Circuit diagram



P.C.B Mounting pattern Dimension



Order Information:  
TS-A00A--S076

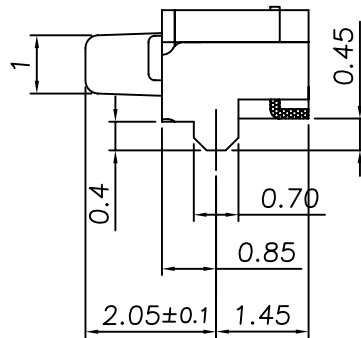
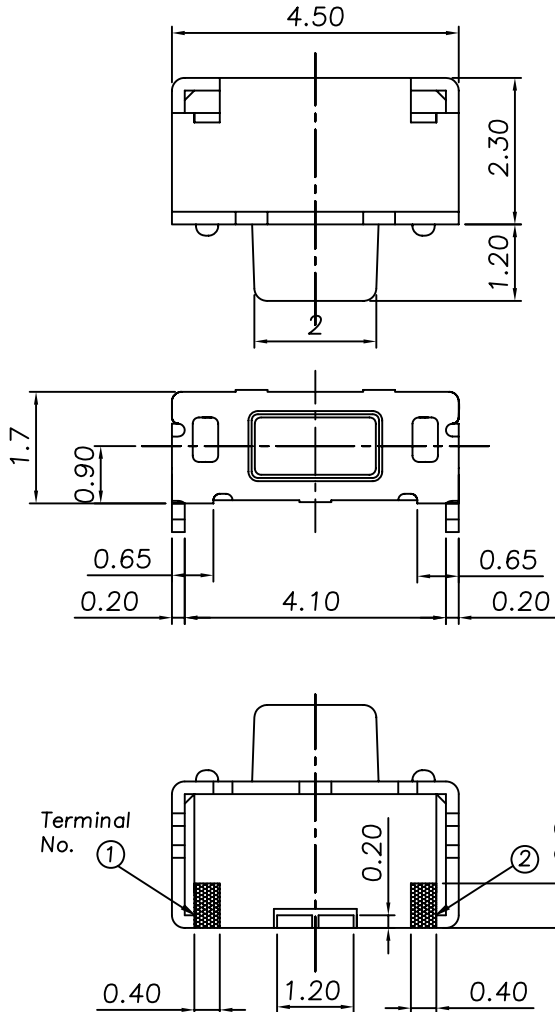
Force

Specifications

1. Rating : 50mA, DC12V Max.
2. Circuit: 1C - 1P
3. Travel: 0.2±0.1mm
4. Contact resistance: 100mΩ Max.
- 5.

Model	Operating Force	Life Cycles
TS-A00A-2	160±50gf	100,000 cycle
TS-A00A-3	250±50gf	50,000 cycle

5	Contact	Stainless Steel	1	Ag Clad
4	Stem	PA46	1	UL 94V-0 Black)
3	Cover	SPTe	1	Sn Plated
2	Terminal	Brass	2	Ag Plated
1	Case	LCP	1	UL 94V-0 (White)
NO	Part Name	Material	Q"ty	Finishing



**達立科技股份有限公司**

**Dawning Precision Co., Ltd.**

TEL: 886-2-82271388 FAX: 886-2-82272198

DESIGN	Will	SCALE		
DRAWING	Will	UNIT	mm	
CHECK	Will	SIZE	A4: 210*297	
APPROVAL	Eric	VERSION	01	

TOLERANCE UNLESS OTHERWISE STATED(mm)	PART NAME	TACT SWITCH
less than 10 — ±0.2	PART NO	TS-A00A SERIES
10~30 — ±0.3	DRAWING NO	
30~100 — ±0.5	DATE	2012/10/05
ANGIE — ±2°		