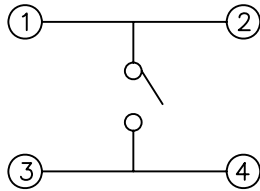


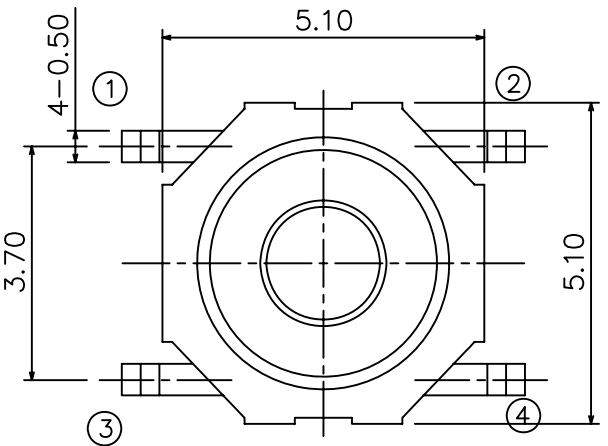
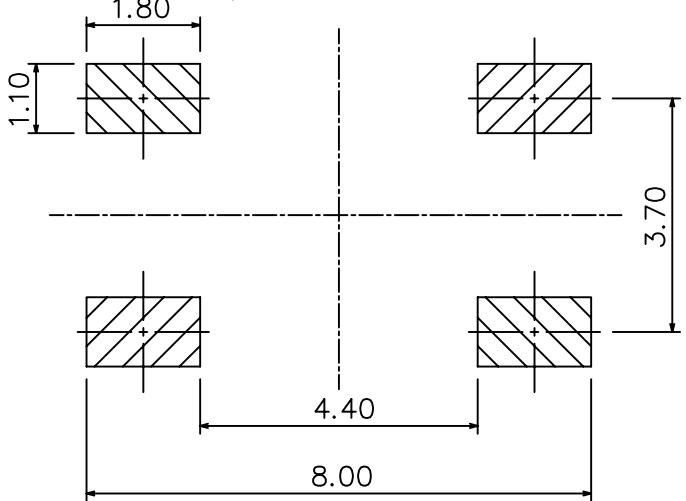
RoHS
Compatible

▲				
▲				
▲				
▲				
ZONE	REV	DESCRIPTION	DATE	APPD.

Circuit Diagram



P.C.B Mounting
pattern Dimension

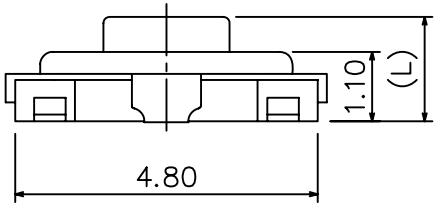
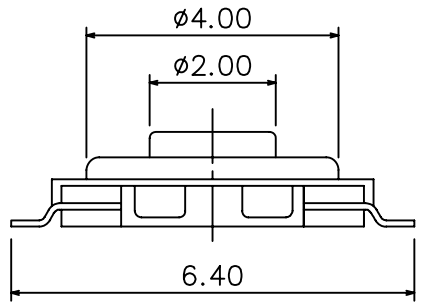


KNOB(L)

Model No	L(mm)
TS-A87	1.50
TS-A87A	4.30
TS-A87B	1.65

Order Information:
TS-A87 - -S033

Force
Height



SPECIFICATIONS

- Rating : DC 12V, 50mA Max
- Bounce : 10m SEC MAX
- Contact Resistance : 100mΩ Max
- Travel : 0.2±0.1mm

Model	Operating Force	Life Cycles
A87-1	130±50gf	300,000 Cycle
A87-2	160±50gf	300,000 Cycle
A87-3	250±50gf	100,000 Cycle

達立科技股份有限公司
Dawning Precision Co., Ltd.
TEL: 886-2-82271388 FAX: 886-2-82272198

DESIGN	Will	SCALE		
DRAWING	Will	UNIT	mm	
CHECK	Will	SIZE	A4: 210*297	
APPROVAL	Eric	VERSION	01	

TOLERANCE UNLESS OTHERWISE STATED(mm)	PART NAME	TACT SWITCH
less than 10 — ±0.2	PART NO	TS-A87 series
10~30 — ±0.3	DRAWING NO	
30~100 — ±0.5	DATE	2009/06/30
ANGIE — ±2°		