

RoHS
Compatible

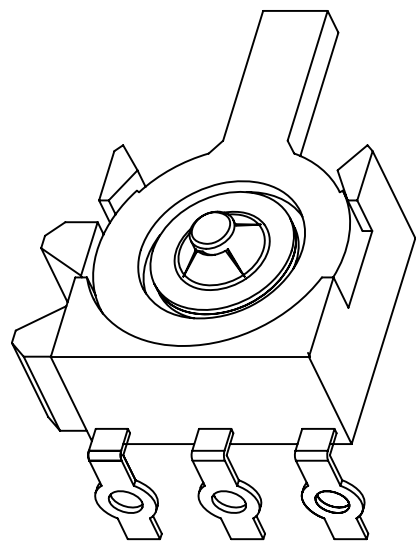
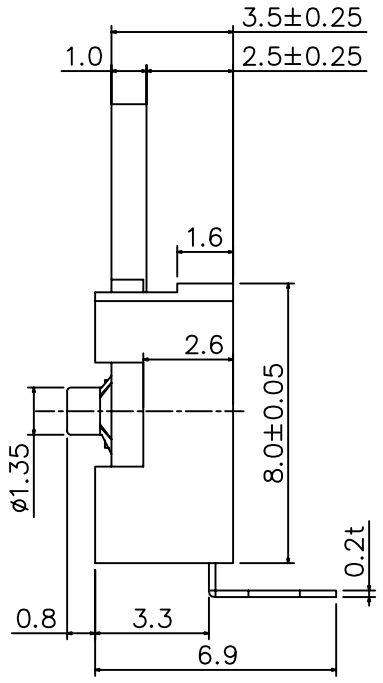
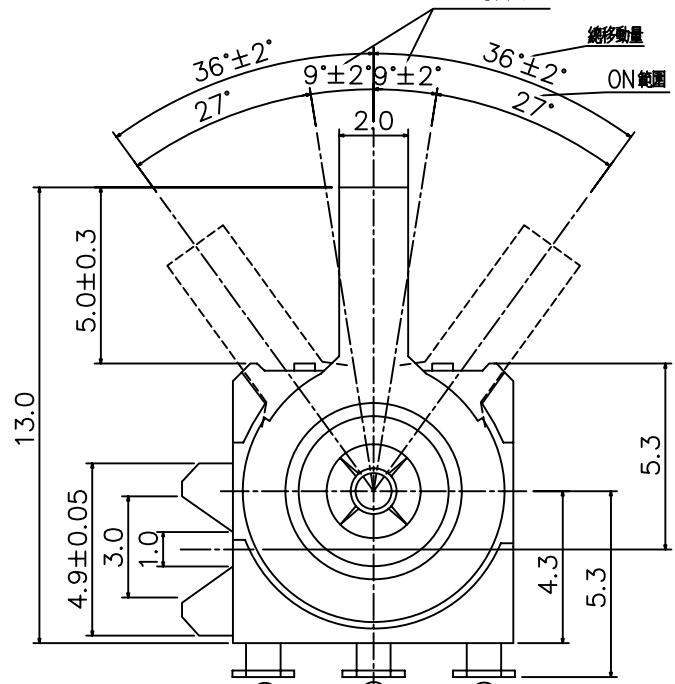
發行
2010.01.21
達立

▲				
▲				
▲				
▲				
ZONE	REV	DESCRIPTION	DATE	APPD.

OFF範圍

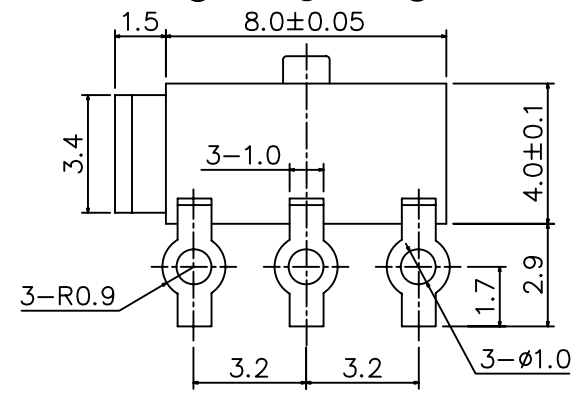
總移動量

ON範圍

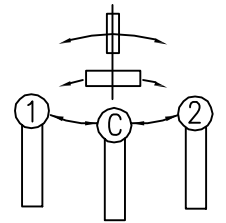


Specifications

1. Rating : DC 12V, 0.1A max.
2. Contact resistance: 100mΩ max.(initial)
3. Insulation resistance : 100MΩ-100VDC min.
4. Operating force : up to 50gf
5. Operating life : 100,000 cycles min.



回路圖



1	Actuator	POM	1	White
2	Base	Nylon	1	Black
3	Cover	Stainless Steel	1	Natural
4	Bouncing Tips	Phosphor Bronze	1	Silver Plated
5	Spring	SWP	1	
6	Terminal	Brass	3	Silver Plated
NO	Part Name	Material	Q'ty	Finishing

達立科技股份有限公司
Dawning Precision Co., Ltd.
TEL: 886-2-82271388 FAX: 886-2-82272198

DESIGN	Will	SCALE		
DRAWING	Will	UNIT	mm	
CHECK	Will	SIZE	A4: 210*297	
APPROVAL	Eric	VERSION	01	

TOLERANCE UNLESS OTHERWISE STATED(mm)	PART NAME	DETECTOR SWITCH
less than 10 — ±0.3	PART NO	DS-A43
10~30 — ±0.5	DRAWING NO	
30~100 — ±0.8	DATE	2009/01/21
ANGIE — ±5°		