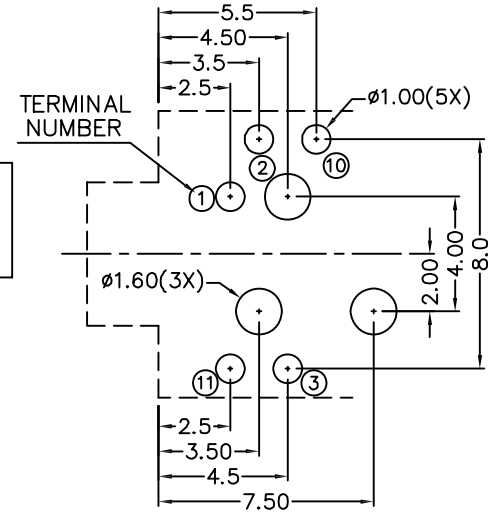
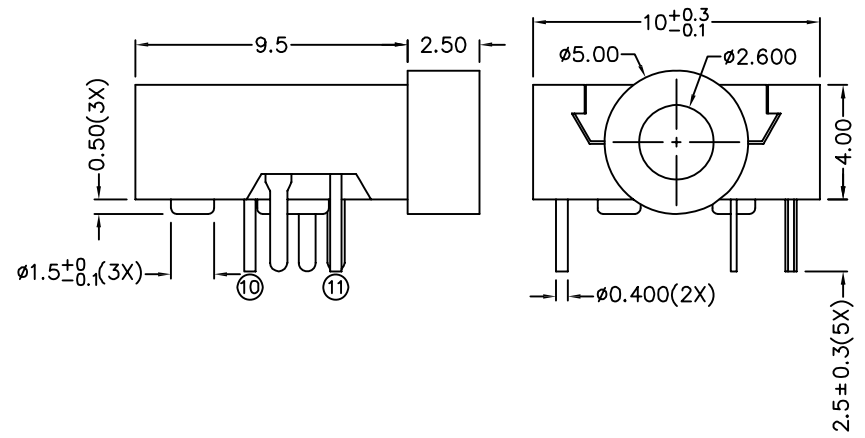
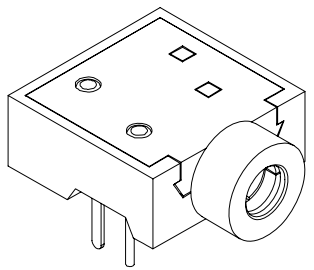


**RoHS**  
**Compatible**

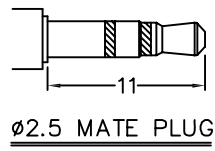
▲				
▲				
▲				
▲				
ZONE	REV	DESCRIPTION	DATE	APPD.



PCB LAYOUT  
(BOTTOM VIEW)

**\* MATERIAL**

- TERMINAL 1 : BRASS
- TERMINAL 2 : COPPER ALLOY
- TERMINAL 3 : COPPER ALLOY
- TERMINAL 10 : COPPER ALLOY
- TERMINAL 11 : COPPER ALLOY
- BUSHING : PA66
- HOUSING : PA66
- COVER : PA66



MODEL NO.	PJ-2645P	PJ-2644AP	PJ-2644BP	PJ-2643P	PJ-2643AP	PJ-2642P
SCHEMATIC						

**達立科技股份有限公司**  
**Dawning Precision Co., Ltd.**  
TEL: 886-2-82271388 FAX: 886-2-82272198

DESIGN	Will	SCALE		
DRAWING	Will	UNIT	mm	
CHECK	Will	SIZE	A4: 210*297	
APPROVAL	Eric	VERSION	01	

TOLERANCE UNLESS OTHERWISE STATED(mm)	PART NAME	PHONE JACK
less than 10 — ±0.2	PART NO	PJ-264P SERIES
10~30 — ±0.3	DRAWING NO	
30~100 — ±0.5	DATE	2009/12/01
ANGIE — ±2°		