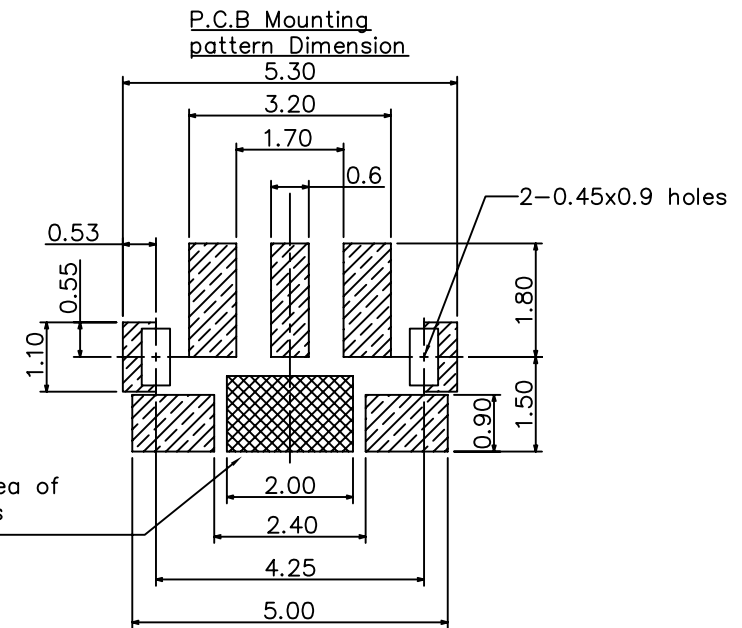
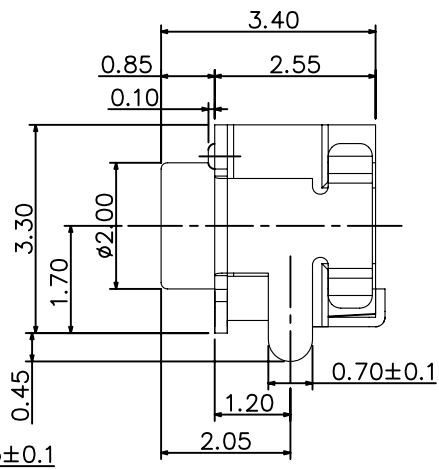
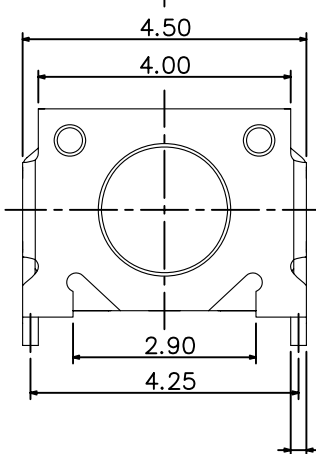
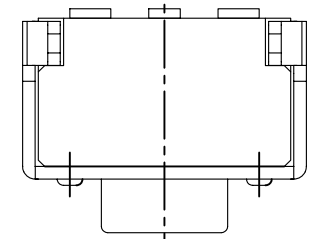
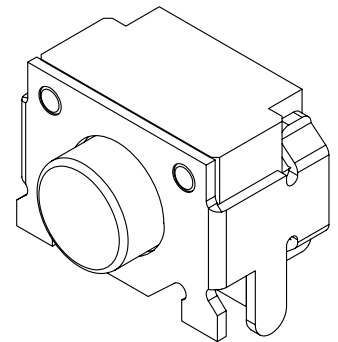
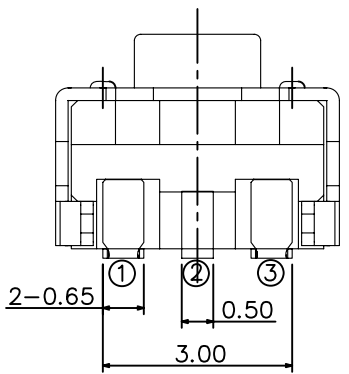


RoHS
Compatible

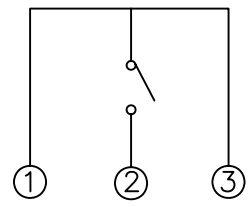
△				
△				
△				
△				
ZONE	REV	DESCRIPTION	DATE	APPD.



Prohibited area of copper tracks



Circuit diagram



Specification

1. Rating : 50mA, DC12V Max.
2. Contact resistance : 500mΩ Max.
3. Bounce : 10m sec Max.
4. Travel : 0.2±0.1mm.
5. Operating force : 160±50gf
6. Operating life cycles : 100,000 cycles.

達立科技股份有限公司
Dawning Precision Co., Ltd.
TEL: 886-2-82271388 FAX: 886-2-82272198

DESIGN	Will	SCALE		
DRAWING	Will	UNIT	mm	
CHECK	Will	SIZE	A4: 210*297	
APPROVAL	Eric	VERSION	01	

TOLERANCE UNLESS OTHERWISE STATED(mm)	PART NAME	TACT SWITCH
less than 10 — ±0.2	PART NO	TSS31-EG-160-T20
10~30 — ±0.3	DRAWING NO	
30~100 — ±0.5	DATE	2009/01/23
ANGIE — ±2'		