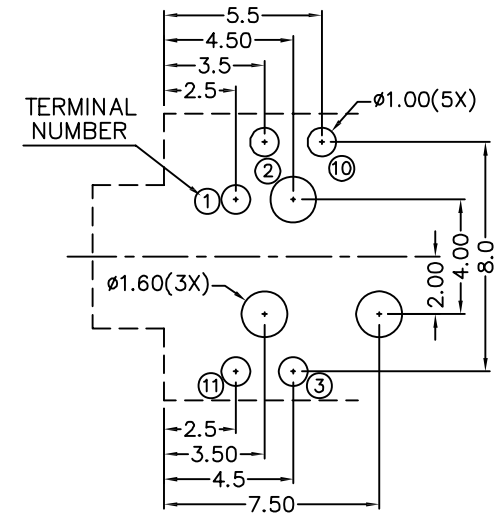
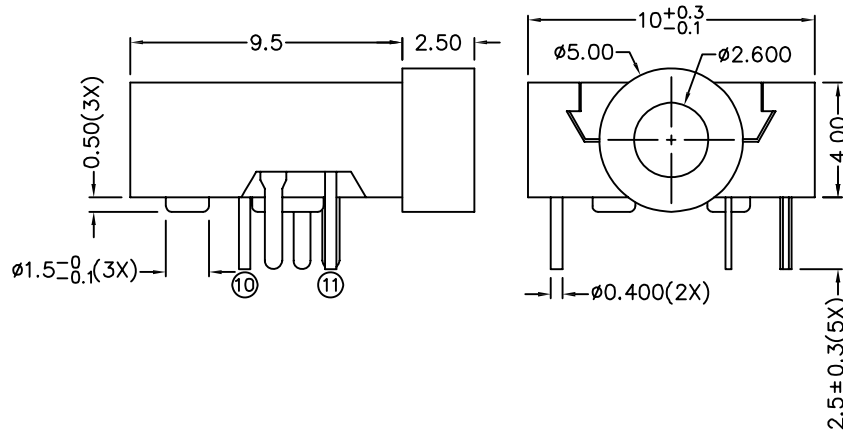
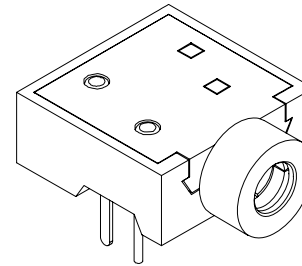


RoHS
Compatible

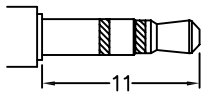
▲				
▲				
▲				
▲				
ZONE	REV	DESCRIPTION	DATE	APPD.



PCB LAYOUT
(BOTTOM VIEW)

* MATERIAL

- TERMINAL 1 : BRASS
- TERMINAL 2 : COPPER ALLOY
- TERMINAL 3 : COPPER ALLOY
- TERMINAL 10 : COPPER ALLOY
- TERMINAL 11 : COPPER ALLOY
- BUSHING : BRASS
- HOUSING : PA66
- COVER : PA66



Ø2.5 MATE PLUG

MODEL NO.	PJ-2645	PJ-2644A	PJ-2644B	PJ-2643	PJ-2643A	PJ-2642
SCHEMATIC						

達立科技股份有限公司

Dawning Precision Co., Ltd.

TEL: 886-2-82271388 FAX: 886-2-82272198

DESIGN	Will	SCALE		
DRAWING	Will	UNIT	mm	
CHECK	Will	SIZE	A4: 210*297	
APPROVAL	Eric	VERSION	01	

TOLERANCE UNLESS OTHERWISE STATED(mm)
less than 10 — ±0.2
10~30 — ±0.3
30~100 — ±0.5
ANGIE — ±2°

PART NAME	PHONE JACK
PART NO	PJ-264 SERIES
DRAWING NO	
DATE	2009/12/01