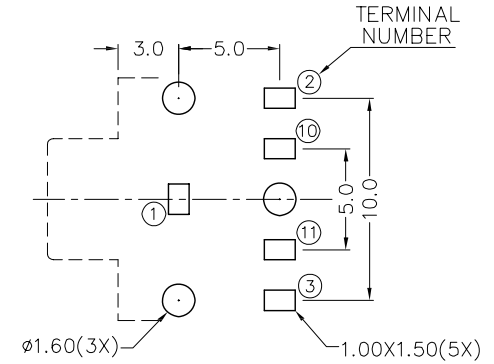
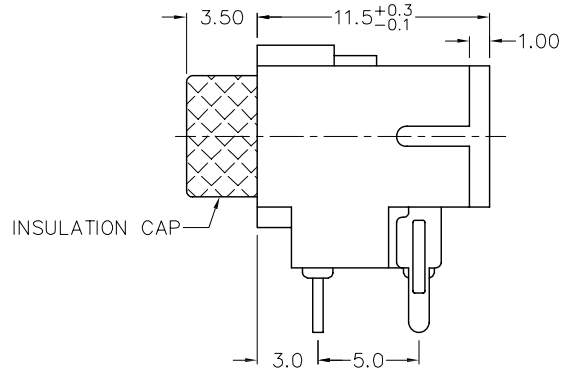
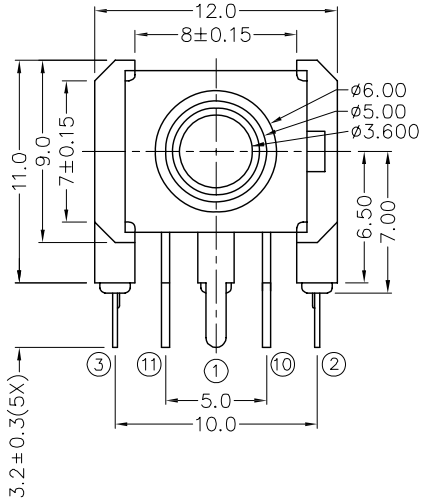
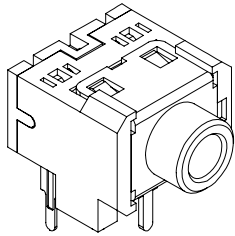
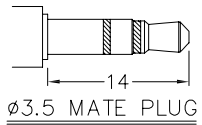


RoHS
Compatible

▲				
▲				
▲				
▲				
ZONE	REV	DESCRIPTION	DATE	APPD.



PCB LAYOUT
(BOTTOM VIEW)



MODEL NO.	PJ-3845P-2	PJ-3844PA-2	PJ-384APB-2	PJ-3843P-2	PJ-3843AP-2
SCHEMATIC					

*** MATERIAL**

- TERMINAL 1 : COLD ROLLED STEEL
- TERMINAL 2 : COPPER ALLOY
- TERMINAL 3 : COPPER ALLOY
- TERMINAL 10 : BRASS
- TERMINAL 11 : BRASS
- BUSHING : BRASS
- SPRING : STAINLESS STEEL
- HOUSING : PBT
- COVER : PBT
- INSULATION CAP : PBT

達立科技股份有限公司

Dawning Precision Co., Ltd.

TEL: 886-2-82271388 FAX: 886-2-82272198

DESIGN	Will	SCALE		
DRAWING	Will	UNIT	mm	
CHECK	Will	SIZE	A4: 210*297	
APPROVAL	Eric	VERSION	01	

TOLERANCE UNLESS OTHERWISE STATED(mm)
less than 10 — ±0.2
10~30 — ±0.3
30~100 — ±0.5
ANGIE — ±2°

PART NAME	PHONE JACK
PART NO	PJ-384P-2 SERIES
DRAWING NO	
DATE	2009/11/25