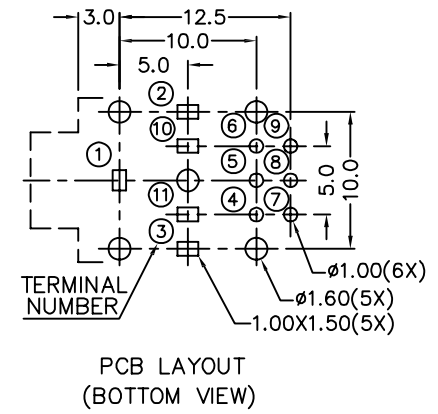
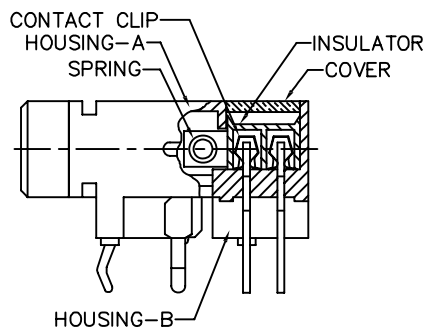
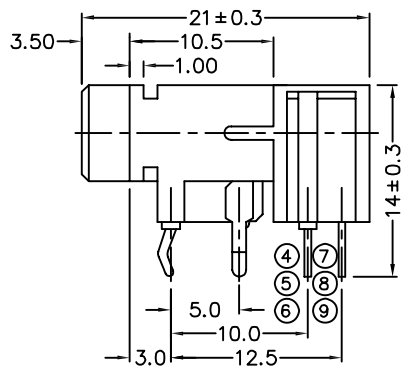
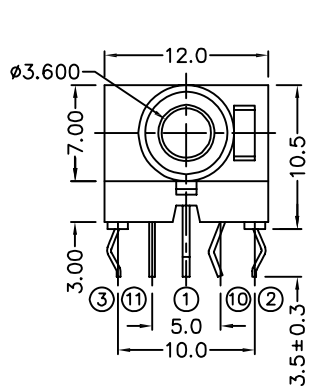
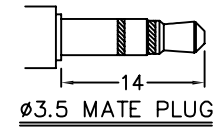
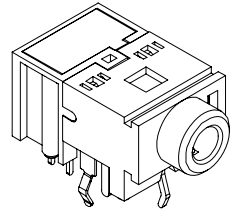


RoHS
Compatible

△				
△				
△				
△				
ZONE	REV	DESCRIPTION	DATE	APPD.



MODEL NO.	PJ-3565-22	PJ-3564A-22	PJ-3564B-22	PJ-3563-22	PJ-3563A-22	PJ-3562-22
SCHMATIC						

- * MATERIAL**
- TERMINAL 1 : BRASS
 - TERMINAL 2 : COPPER ALLOY
 - TERMINAL 3 : COPPER ALLOY
 - TERMINAL 10 : BRASS
 - TERMINAL 11 : BRASS
 - TERMINAL 4,5,6,7,8,9 : BRASS
 - HOUSING-A : PBT
 - HOUSING-B : PBT
 - COVER : PBT
 - INSULATOR : PA66
 - SPRING : STAINLESS STEEL
 - CONTACT CLIP : C5210R-EH

達立科技股份有限公司
Dawning Precision Co., Ltd.
TEL: 886-2-82271388 FAX: 886-2-82272198

DESIGN	Will	SCALE		
DRAWING	Will	UNIT	mm	
CHECK	Will	SIZE	A4: 210*297	
APPROVAL	Eric	VERSION	01	

TOLERANCE UNLESS OTHERWISE STATED(mm)	PART NAME	PHONE JACK
less than 10 — ±0.2	PART NO	PJ-356-22 SERIES
10~30 — ±0.3	DRAWING NO	
30~100 — ±0.5	DATE	2009/11/24
ANGIE — ±2°		