

▲				
▲				
▲				
▲				
ZONE	REV	DESCRIPTION	DATE	APPD.

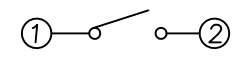
**ORDER INFORMATION:**

TS-A16S-200-T40  
 Packaging quantity  
 Force  
 Model Type  
 Tact Switch

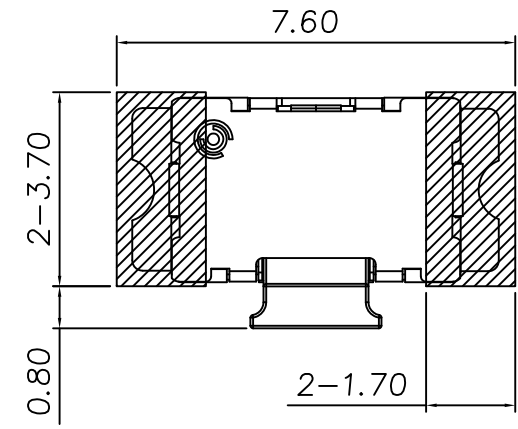
**RoHS**  
**Compatible**

發行  
 2014.09.17  
 達立

CIRCUIT DIAGRAM



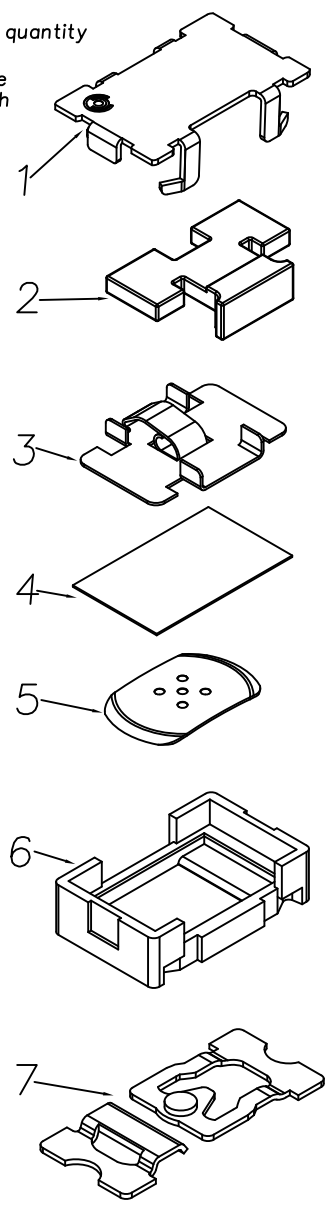
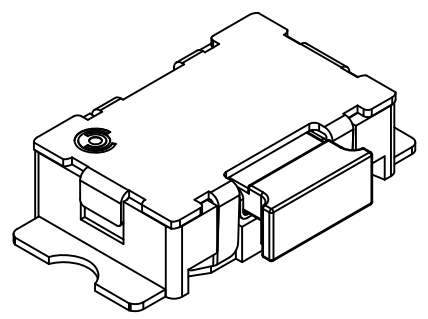
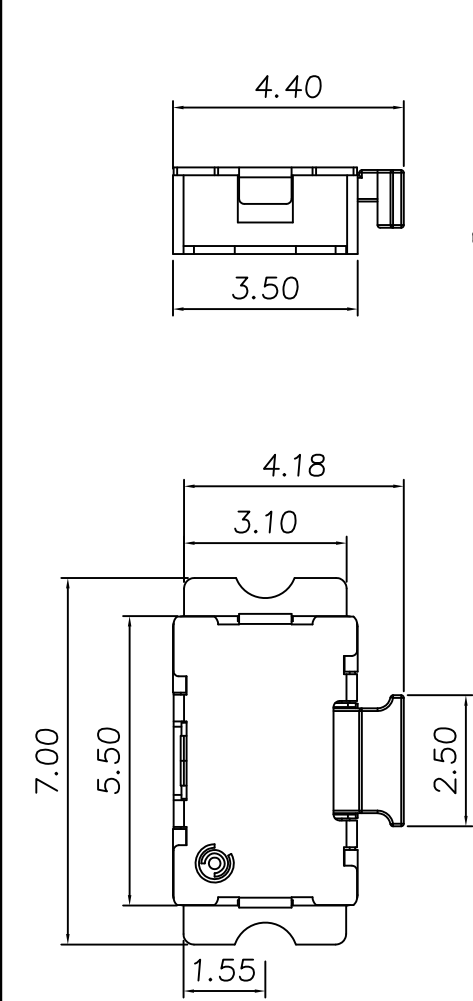
P.C.B MOUNTING  
 PATTERN DIMENSION



SPECIFICATION

- Rating : 50mA, DC32V Max.
- Contact resistance : 100mΩ Max.
- Insulation resistance : 100MΩ Min(100VDC).
- Travel : 0.3±0.15 mm
- Operating Force : 100,000 cycles.
- Operating Life Cycle : 200±50gf.

7	Terminal	Brass	2	Ag plated over Ni plated
6	Case	LCP	1	Black
5	Contact	Stainless Steel	1	Ag Plated
4	Dust Cover	Pi Film	1	Yellow
3	Cover2	Stainless Steel	1	Heat treatment
2	Stem	Polyamide	1	Peru
1	Cover1	Stainless Steel	1	Heat treatment
NO	Part Name	Material	Q"ty	Finishing



**達立科技股份有限公司**  
**Dawning Precision Co.,Ltd.**  
 TEL: 886-2-82271388 FAX: 886-2-82272198

DESIGN	Frank	SCALE		
DRAWING	Frank	UNIT	mm	
CHECK	Frank	SIZE	A4: 210*297	
APPROVAL	Eric	VERSION	X1	

TOLERANCE UNLESS OTHERWISE STATED(mm)	PART NAME	TACT SWITCH
less than 10 — ±0.2	PART NO	TS-A16S-200-T40
10~30 — ±0.3	DRAWING NO	
30~100 — ±0.5	DATE	2014/09/17
ANGLE — ±2'		