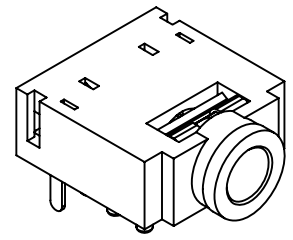
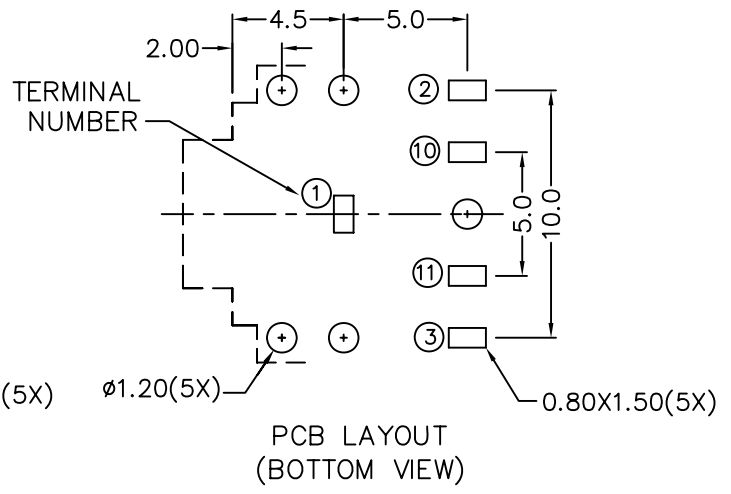
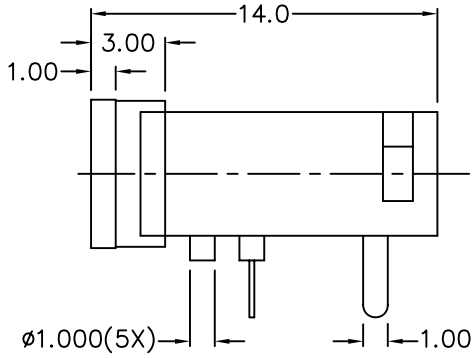
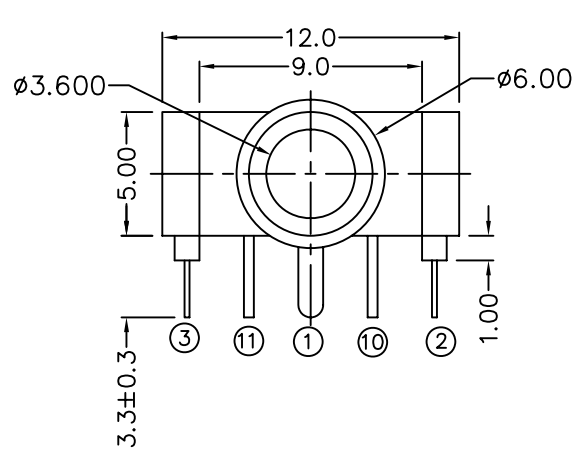


**RoHS**  
**Compatible**

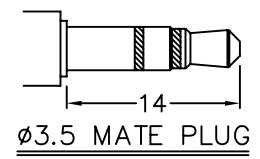


▲				
▲				
▲				
▲				
ZONE	REV	DESCRIPTION	DATE	APPD.



MODEL NO.	PJ-3515	PJ-3514A	PJ-3514B	PJ-3513	PJ-3513A	PJ-3512
SCHEMATIC						

**\*MATERIAL**  
 TERMINAL 1 : COPPER ALLOY  
 TERMINAL 2 : COPPER ALLOY  
 TERMINAL 3 : COPPER ALLOY  
 TERMINAL 10 : BRASS  
 TERMINAL 11 : BRASS  
 BUSHING : BRASS  
 HOUSING : PBT



**達立科技股份有限公司**  
**Dawning Precision Co., Ltd.**  
 TEL: 886-2-82271388 FAX: 886-2-82272198

DESIGN	Will	SCALE		
DRAWING	Will	UNIT	mm	
CHECK	Will	SIZE	A4: 210*297	
APPROVAL	Eric	VERSION	01	

TOLERANCE UNLESS OTHERWISE STATED(mm)	PART NAME	PHONE JACK
less than 10 — ±0.2	PART NO	PJ-351 SERIES
10~30 — ±0.3	DRAWING NO	
30~100 — ±0.5	DATE	2009/11/24
ANGIE — ±2°		

www.dawning2.com.tw