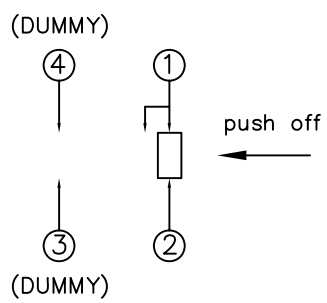


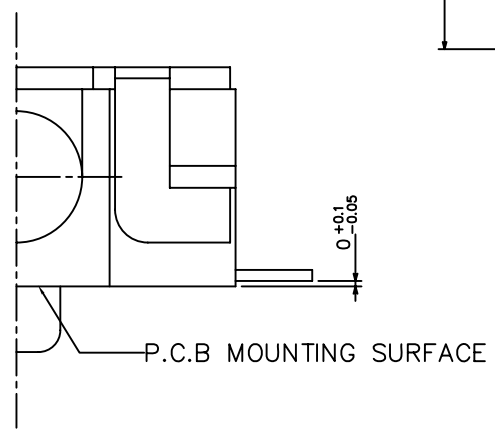
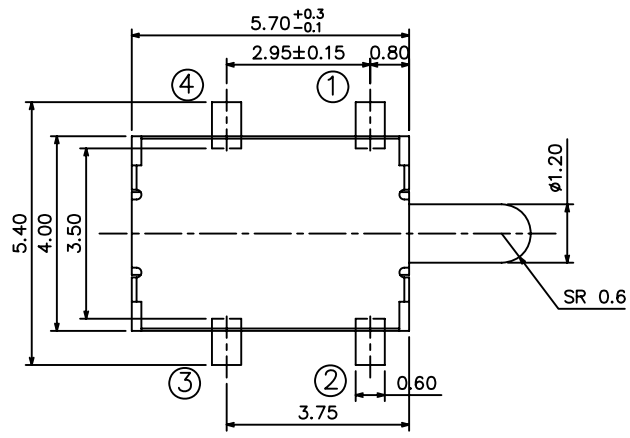
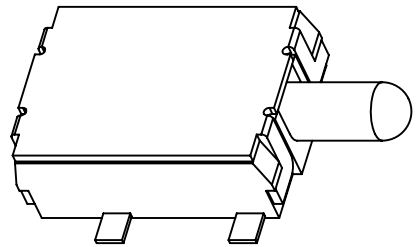
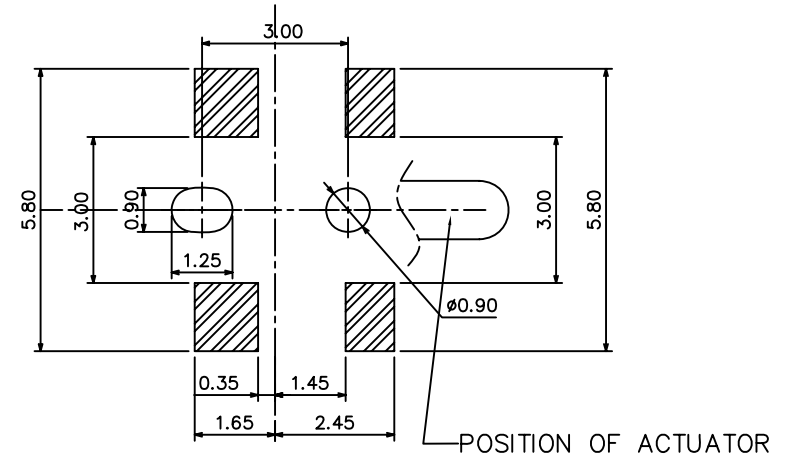
RoHS
Compatible

△				
△				
△				
△				
ZONE	REV	DESCRIPTION	DATE	APPD.

Circuit Diagram

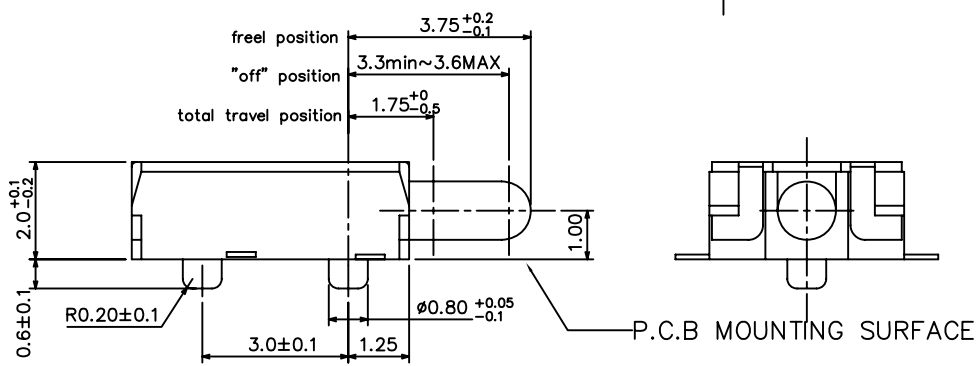


P.C.B Mounting pattern Dimension



Specifications

1. Rating: DC12V ,100mA Max.
2. Contact Resistance : 1Ω max.
3. Insulation Resistance : DC 100V-100MΩ Min.
4. Withstand Voltage : AC100-1 minute.
5. Operation : 100±50gf.
6. Life Cycles : 100,000 cycles



6	Coil spring	Stainless	1	
5	Contact plate	Copper alloy	1	Ag Plate
4	Terminal	Copper alloy	2	Ag Plate
3	Case	Liquid crystal polymer	1	White color
2	Actuator	Polyamide resin	1	Black color
1	Cover	Stainless	1	
NO	PART NAME	MATERIAL	Q"TY	FINISHING

達立科技股份有限公司
Dawning Precision Co.,Ltd.
TEL: 886-2-82271388 FAX: 886-2-82272198

DESIGN	Will	SCALE	
DRAWING	Will	UNIT	mm
CHECK	Will	SIZE	A4: 210*297
APPROVAL	Eric	VERSION	01

TOLERANCE UNLESS OTHERWISE STATED(mm)	PART NAME	DETECTOR SWITCH
less than 10 — ±0.2	PART NO	DS-B50B
10~30 — ±0.3	DRAWING NO	
30~100 — ±0.5	DATE	2010/02/03
ANGIE — ±2°		