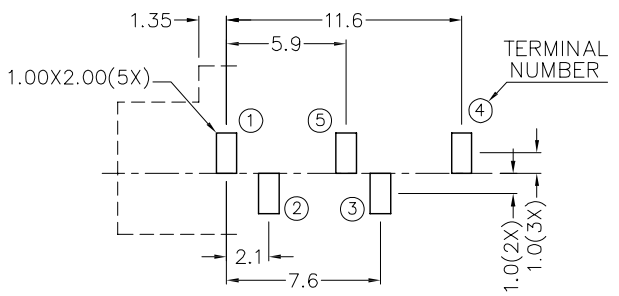
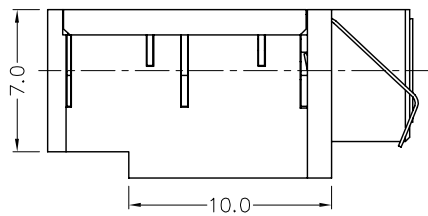
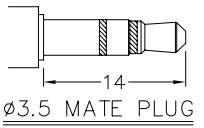
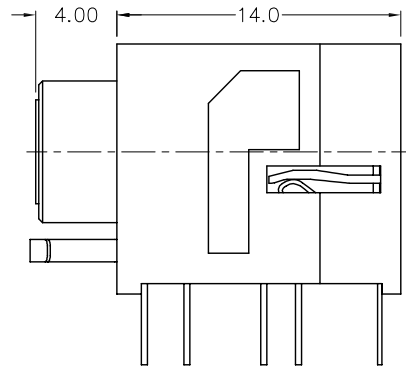
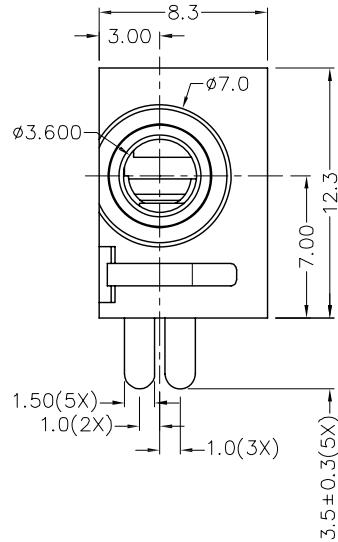
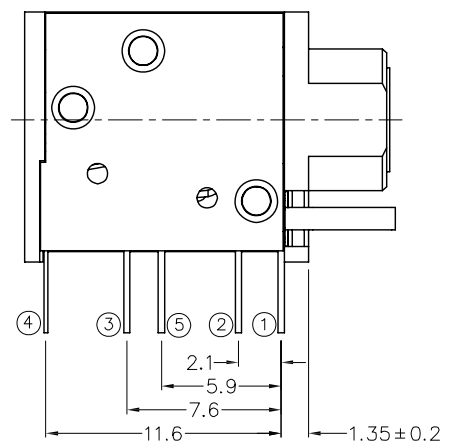
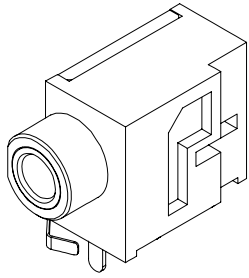
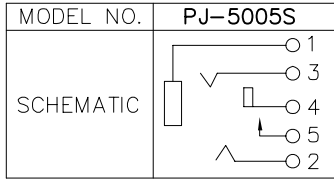


RoHS
Compatible

△				
△				
△				
△				
ZONE	REV	DESCRIPTION	DATE	APPD.



- * MATERIAL
- TERMINAL 1 : BRASS
 - TERMINAL 2 : BRASS
 - TERMINAL 3 : BRASS
 - TERMINAL 4 : COPPER ALLOY
 - TERMINAL 5 : BRASS
 - BUSHING : BRASS
 - SPRING : STAINLESS STEEL
 - SHIELD : STAINLESS STEEL
 - HOUSING : PA66
 - COVER : PA66

達立科技股份有限公司
Dawning Precision Co., Ltd.
TEL: 886-2-82271388 FAX: 886-2-82272198

DESIGN	Will	SCALE		
DRAWING	Will	UNIT	mm	
CHECK	Will	SIZE	A4: 210*297	
APPROVAL	Eric	VERSION	01	

TOLERANCE UNLESS OTHERWISE STATED(mm)
less than 10 — ±0.2
10~30 — ±0.3
30~100 — ±0.5
ANGIE — ±2°

PART NAME	PHONE JACK
PART NO	PJ-500S SERIES
DRAWING NO	
DATE	2009/12/01