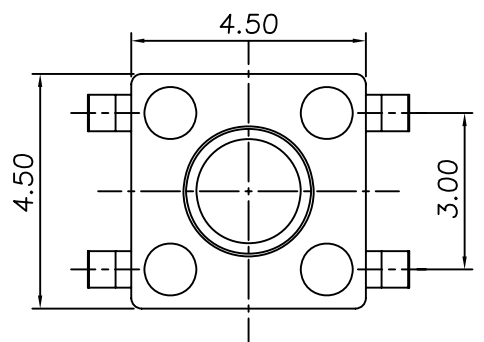
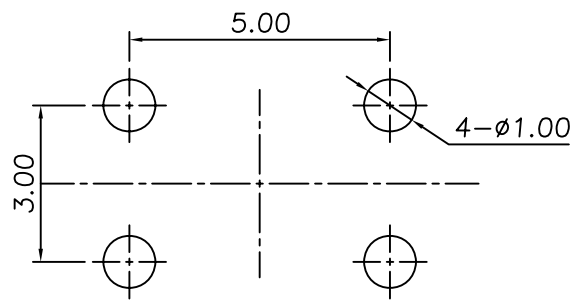


**RoHS**  
**Compatible**

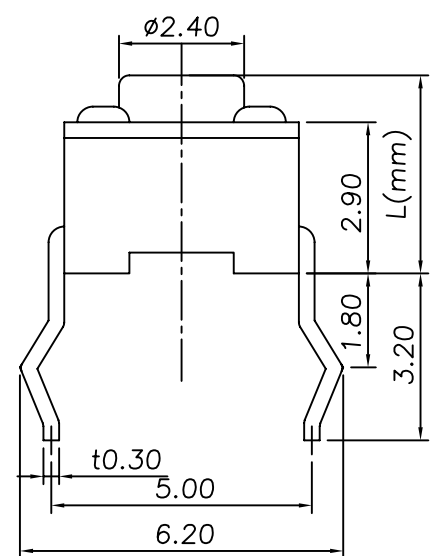
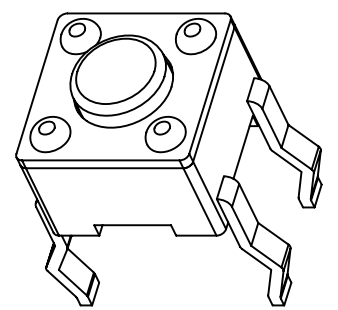
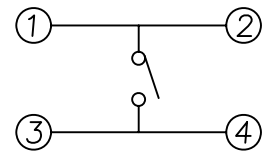
▲				
▲				
▲				
▲				
ZONE	REV	DESCRIPTION	DATE	APPD.



P.C.B Mounting pattern Dimension



Circuit diagram



Knob(L)

Model No.	L(mm)
TS-A09	3.8
TS-A09A	7.0

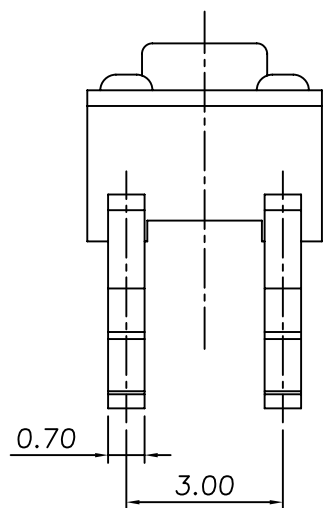
Order Information:  
TS-A09--S033

Force  
Height

Specifications

- Rating : DC 12V 50mA
- Contact resistance : 100mΩ Max.
- Travel : 0.25±0.1mm
- 

Model#	Operating force	Life Cycles
TS-A09-1	130±50gf	50,000 Cycles
TS-A09-2	180±50gf	50,000 Cycles
TS-A09-3	250±50gf	30,000 Cycles



**達立科技股份有限公司**  
**Dawning Precision Co., Ltd.**  
TEL: 886-2-82271388 FAX: 886-2-82272198

DESIGN	Will	SCALE		
DRAWING	Will	UNIT	mm	
CHECK	Will	SIZE	A4: 210*297	
APPROVAL	Eric	VERSION	01	

TOLERANCE UNLESS OTHERWISE STATED(mm)	
less than 10	±0.2
10~30	±0.3
30~100	±0.5
ANGIE	±2°

PART NAME	TACT WITCH
PART NO	TS-A09 SERIES
DRAWING NO	
DATE	2009/12/02