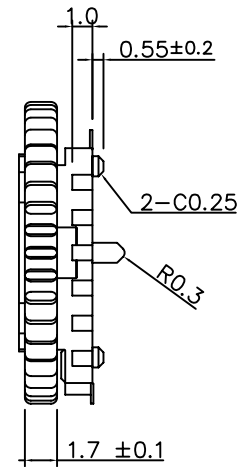
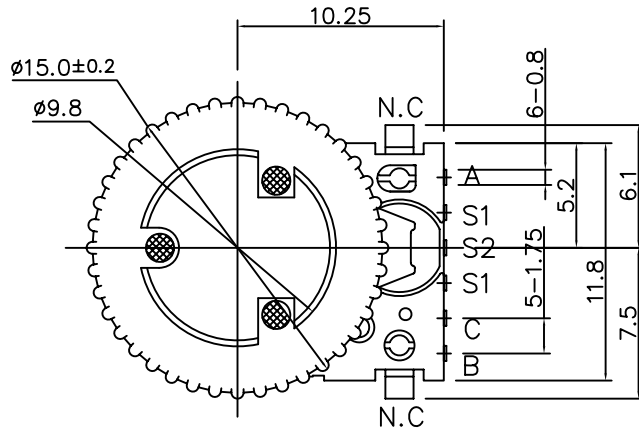
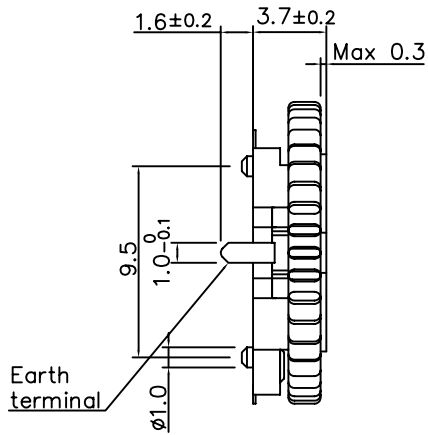
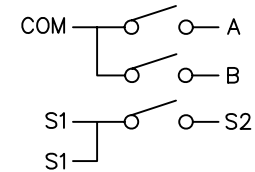


RoHS
Compatible

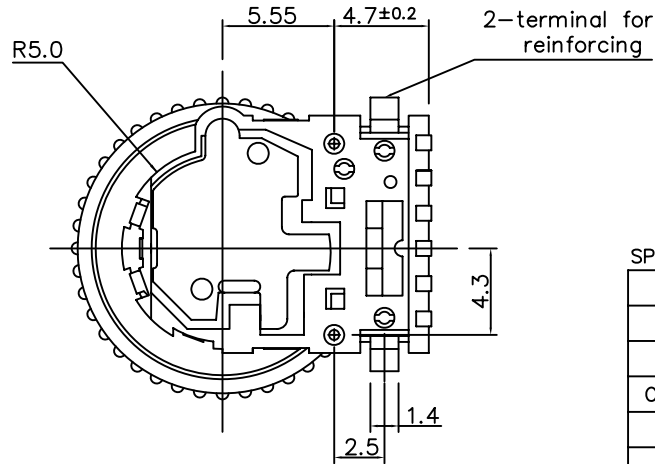
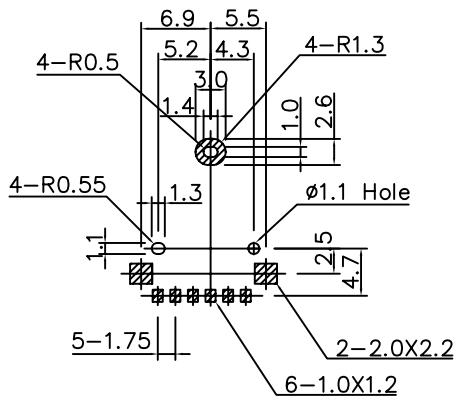
△				
△				
△				
△				
ZONE	REV	DESCRIPTION	DATE	APPD.



CIRCUIT DIAGRAM



P.C.board mounting holes and land dimension



SPECIFICATION

ITEM	ENCODER	TACT S/W
RATING	10V DC 1mA	12V DC 50mA
CIRCUIT	15 PULSE	1C-1P
CONTACT RESISTANCE	1Ω Max	100mΩ Max
OPERATING LIFE	100000T	100000 CYCLES
OPERATION	1~8m N.m	500±170gf

達立科技股份有限公司

Dawning Precision Co., Ltd.

TEL: 886-2-82271388 FAX: 886-2-82272198

DESIGN	Will	SCALE		
DRAWING	Will	UNIT	mm	
CHECK	Will	SIZE	A4: 210*297	
APPROVAL	Eric	VERSION	01	

TOLERANCE UNLESS OTHERWISE STATED(mm)
less than 10 — ±0.2
10~30 — ±0.3
30~100 — ±0.5
ANGIE — ±2°

PART NAME	ENCODER SWITCH
PART NO	K11
DRAWING NO	
DATE	2010/02/02