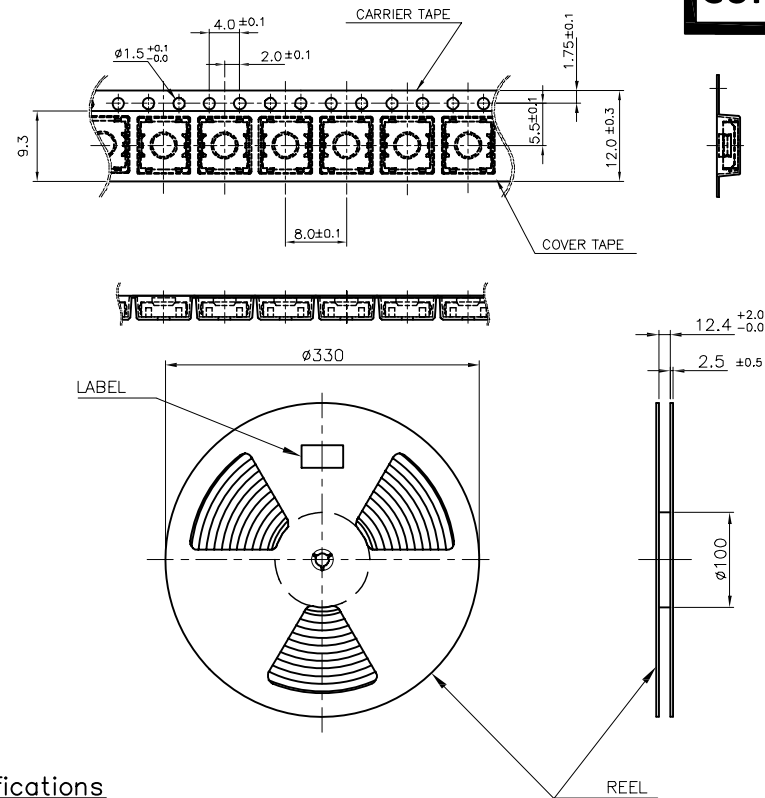


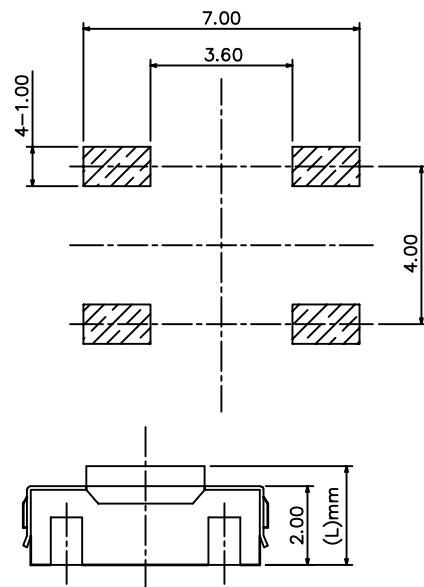
RoHS
Compatible

Tape Size

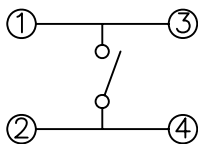
Note:
2800 pcs switches per 1 reel.



P.C.B Mounting pattern Dimension



Circuit Diagram

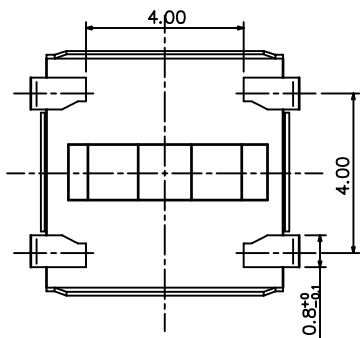
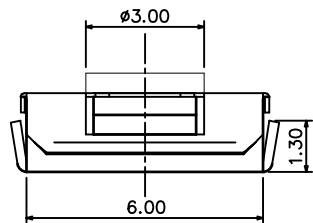
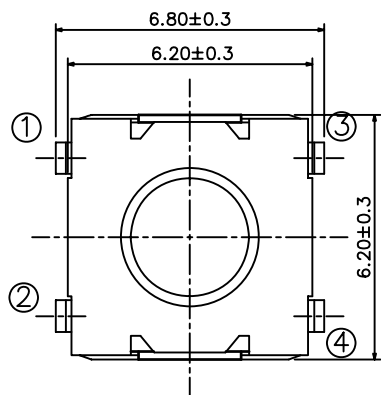


Specifications

1. Rating: DC15V ,20mA Max.
2. Contact Resistance : 100mΩ Max.
3. Insulation Resistance : DC 100V-50MΩ Min.

Model	L(mm)	Stem Color	Operating Force	Life Cycles	Travel
TS-B64HJA	2.0	Green	100±30gf	1,000,000 Cycle	0.2 ±0.15 mm
TS-B64WB	3.1	Green	160±50gf	1,000,000 Cycle	0.25±0.15 mm
TS-B64WJ	2.5	Violet	260±50gf	100,000 Cycle	0.25±0.15 mm
TS-B64J	2.5	Red	160±50gf	1,000,000 Cycle	0.25±0.15 mm
TS-B64HJ	2.5	Green	100±30gf	1,000,000 Cycle	0.2±0.15 mm
TS-B64DJ	2.5	Ivory	50±15gf	2,000,000 Cycle	0.2±0.1 mm

ZONE	REV	DESCRIPTION	DATE	APPD.



達立科技股份有限公司

Dawning Precision Co.,Ltd.

TEL: 886-2-82271388 FAX: 886-2-82272198

DESIGN	Will	SCALE		
DRAWING	Will	UNIT	mm	
CHECK	Will	SIZE	A4: 210*297	
APPROVAL	Eric	VERSION	01	

TOLERANCE UNLESS OTHERWISE STATED(mm)
less than 10 — ±0.2
10~30 — ±0.3
30~100 — ±0.5
ANGIE — ±2'

PART NAME	TACT SWITCH
PART NO	TS-B64 SERIES
DRAWING NO	
DATE	2009/09/21