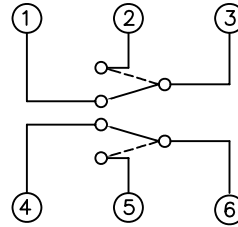


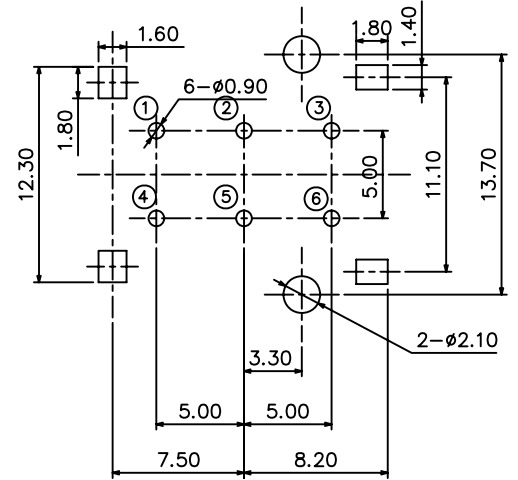
**RoHS**  
**Compatible**

△				
△				
△				
△				
ZONE	REV	DESCRIPTION	DATE	APPD.

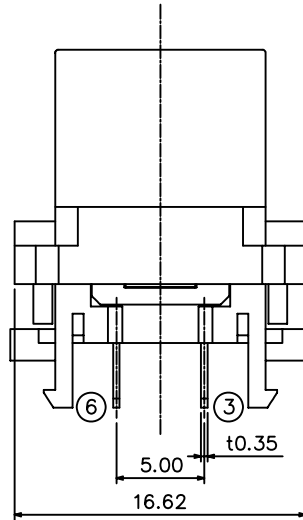
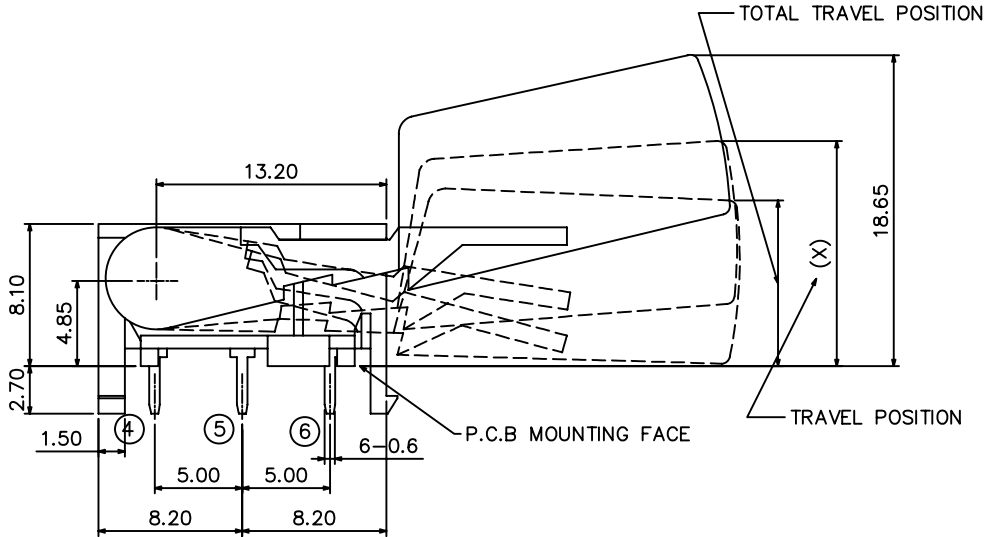
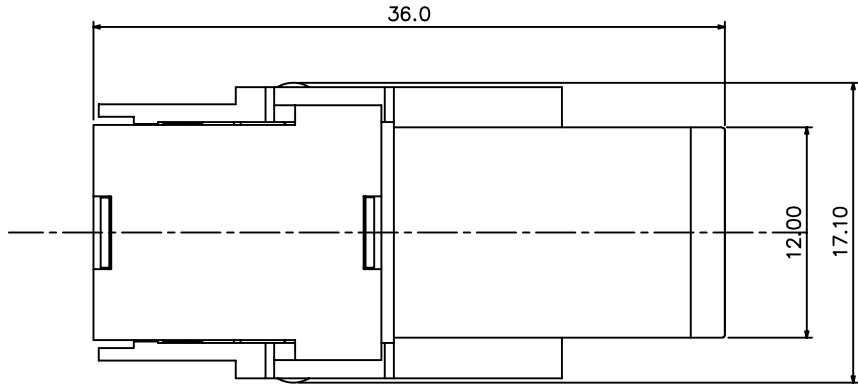
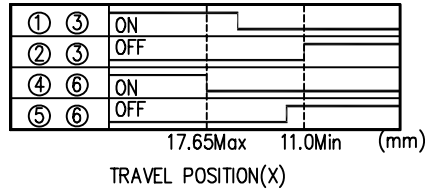
Circuit diagram



P.C.B Mounting  
pattern Dimension



TIME LAG DIAGRAM (NON-SHORTING)



Specification

1. Rating : 0.2A, DC12V max.
2. Circuit : 2C-2P
3. Contact resistance : 100mΩ max.
4. Operating force : 70gf max.

**達立科技股份有限公司**

**Dawning Precision Co., Ltd.**

TEL: 886-2-82271388 FAX: 886-2-82272198

DESIGN	Will	SCALE		
DRAWING	Will	UNIT	mm	
CHECK	Will	SIZE	A4: 210*297	
APPROVAL	Eric	VERSION	03	

TOLERANCE UNLESS OTHERWISE STATED(mm)
less than 10 — ±0.2
10~30 — ±0.3
30~100 — ±0.5
ANGIE — ±2°

PART NAME	HOOK SWITCH
PART NO	HS-D40A
DRAWING NO	
DATE	2010/03/12

www.dawning2.com.tw