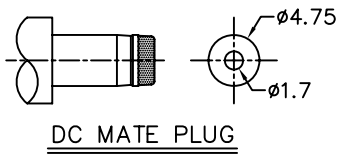
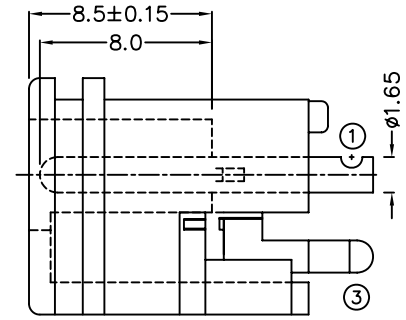
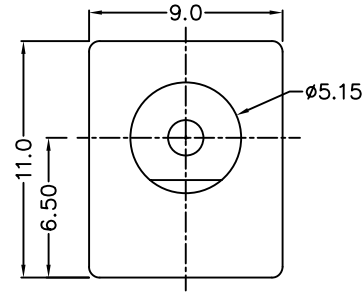
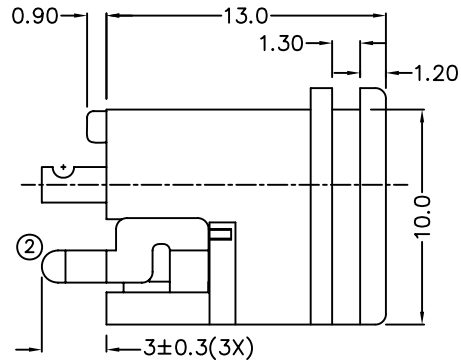
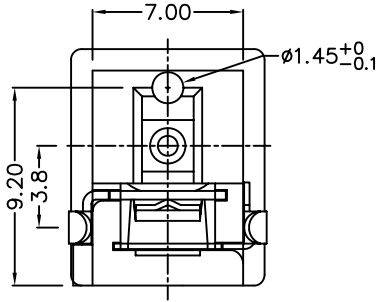
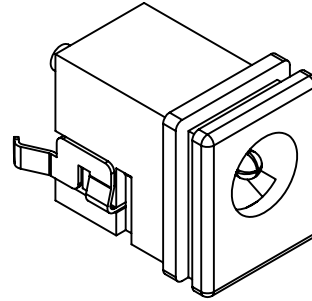
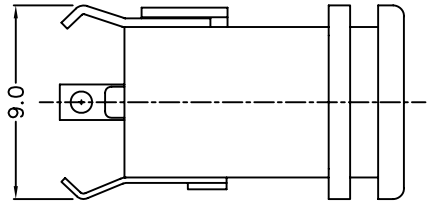


RoHS
Compatible

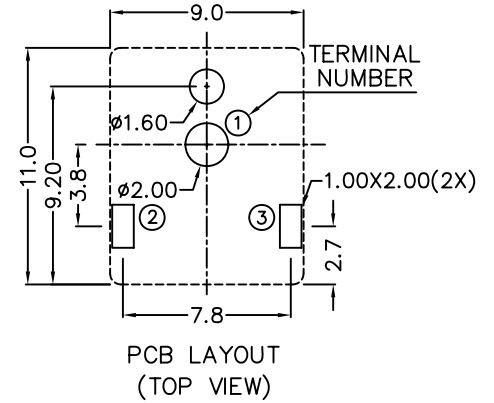
△				
△				
△				
△				
ZONE	REV	DESCRIPTION	DATE	APPD.



MODEL NO.	DC-036H
SCHEMATIC	1, 2, 3
CENTRE PIN	$\phi 1.65\text{mm}$

*** MATERIAL**

TERMINAL 1 : BRASS
 TERMINAL 2 : COPPER ALLOY
 TERMINAL 3 : BRASS
 HOUSING : PBT



達立科技股份有限公司

Dawning Precision Co., Ltd.

TEL: 886-2-82271388 FAX: 886-2-82272198

DESIGN	Will	SCALE		
DRAWING	Will	UNIT	mm	
CHECK	Will	SIZE	A4: 210*297	
APPROVAL	Eric	VERSION	01	

TOLERANCE UNLESS OTHERWISE STATED(mm)
less than 10 — ± 0.2
10~30 — ± 0.3
30~100 — ± 0.5
ANGIE — $\pm 2'$

PART NAME	DC POWER SOCKET
PART NO	DC-036
DRAWING NO	
DATE	2009/06/09

www.dawning2.com.tw