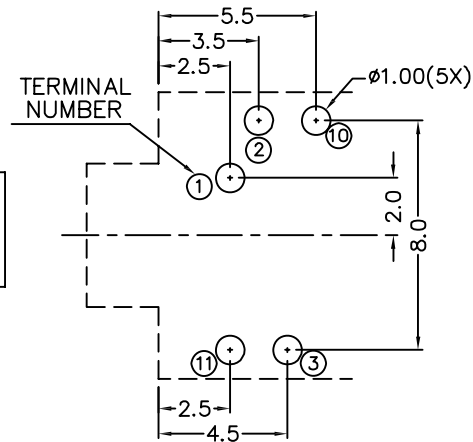
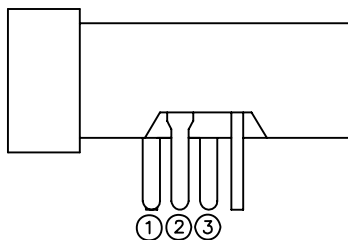
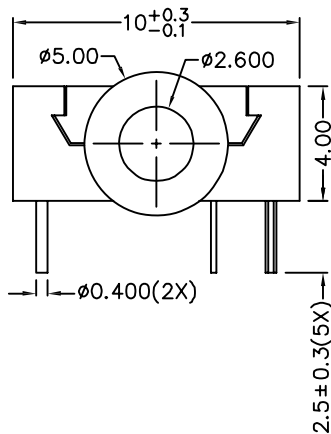
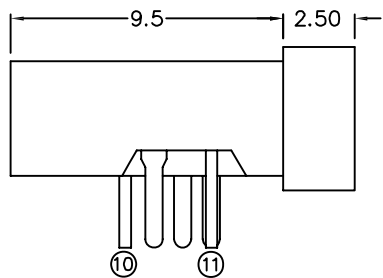
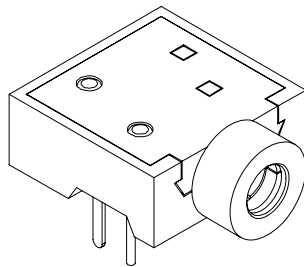


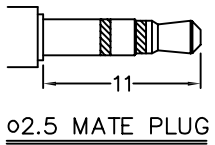
RoHS
Compatible



PCB LAYOUT
(BOTTOM VIEW)

*** MATERIAL**

- TERMINAL 1 : BRASS
- TERMINAL 2 : COPPER ALLOY
- TERMINAL 3 : COPPER ALLOY
- TERMINAL 10 : COPPER ALLOY
- TERMINAL 11 : COPPER ALLOY
- BUSHING : PA66
- HOUSING : PA66
- COVER : PA66



MODEL NO.	PJ-2655P	PJ-2654AP	PJ-2654BP	PJ-2653P	PJ-2653AP	PJ-2652P
SCHEMATIC						

達立科技股份有限公司
Dawning Precision Co., Ltd.
TEL: 886-2-82271388 FAX: 886-2-82272198

DESIGN	Will	SCALE		
DRAWING	Will	UNIT	mm	
CHECK	Will	SIZE	A4: 210*297	
APPROVAL	Eric	VERSION	01	

TOLERANCE UNLESS OTHERWISE STATED(mm)
less than 10 — ±0.2
10~30 — ±0.3
30~100 — ±0.5
ANGIE — ±2°

PART NAME	PHONE JACK
PART NO	PJ-265P SERIES
DRAWING NO	
DATE	2009/12/01