

▲				
▲				
▲				
▲				
ZONE	REV	DESCRIPTION	DATE	APPD.

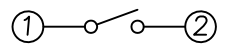
ORDER INFORMATION:
TS-A12E-x-S085

Force

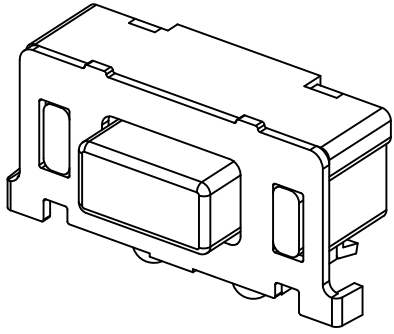
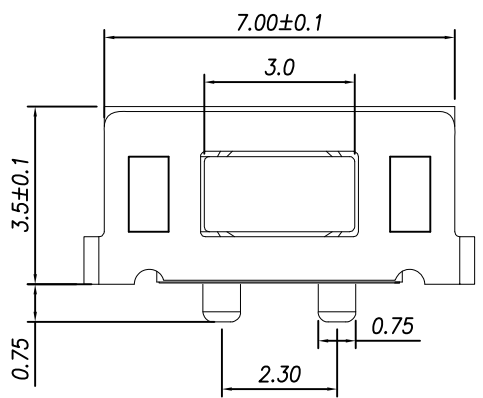
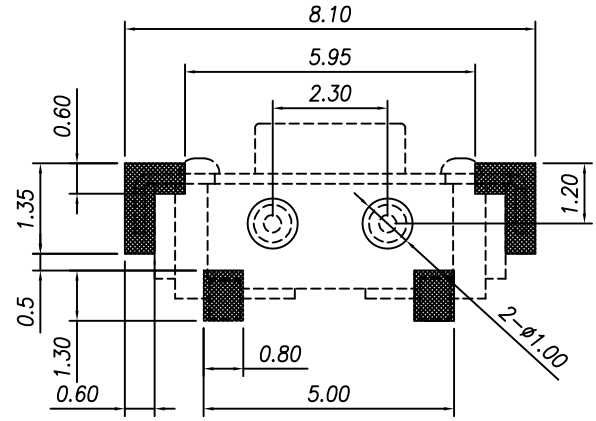
發行
2014.02.18
達立

RoHS
Compatible

CIRCUIT DIAGRAM

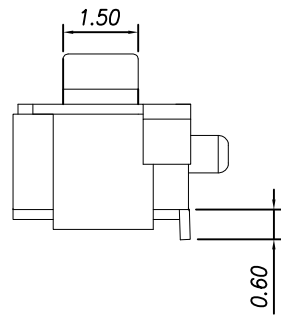
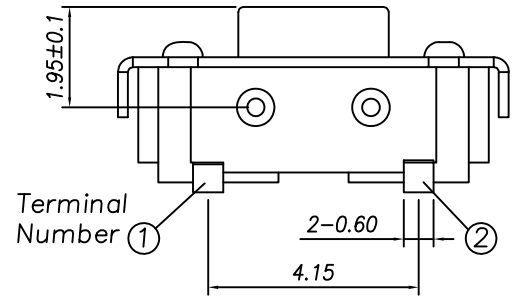


P.C.B MOUNTING
PATTERN DIMENSION



SPECIFICATION

1. Rating : DC 12V 50mA Max.
2. Contact resistance : 100mΩ Max.
3. Insulation resistance : 100MΩ Min.
4. Travel : 0.25±0.1mm
5. Operating life : 30,000 cycles Min.
6. Operating force: 2-160±50gf ; 3-250±50g



5	Case	LCP	1	White
4	Terminal	Brass	2	Ag Plate
3	Contact	Stainless Steel	1	Ag Clad
2	Cover	Brass	1	Ag Plate
1	Stem	LCP	1	Black
No.	Part Name	Material	Q'ty	Finishing

達立科技股份有限公司
Dawning Precision Co., Ltd.
TEL: 886-2-82271388 FAX: 886-2-82272198

DESIGN	Frank	SCALE	
DRAWING	Frank	UNIT	mm
CHECK	Frank	SIZE	A4: 210*297
APPROVAL	Eric	VERSION	01

TOLERANCE UNLESS OTHERWISE STATED(mm)	PART NAME	TACT SWITCH
less than 10 — ±0.3	PART NO	TS-A12E-x-S085 series
10~30 — ±0.4	DRAWING NO	
30~100 — ±0.5	DATE	2014/02/18
ANGLE — ±2°		