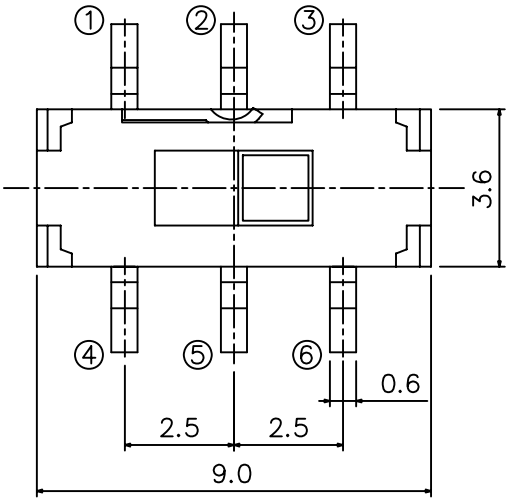
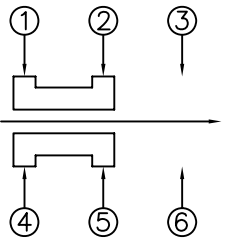


RoHS
Compatible

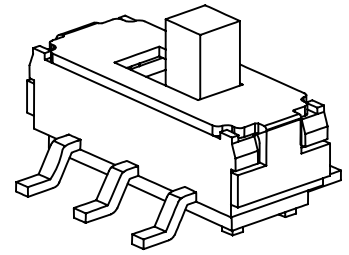
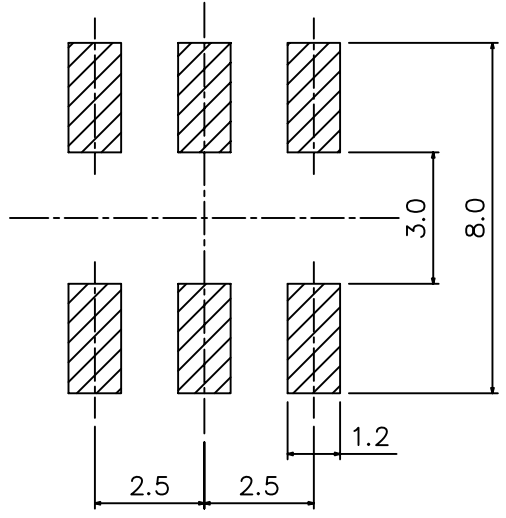
△				
△				
△				
△				
ZONE	REV	DESCRIPTION	DATE	APPD.



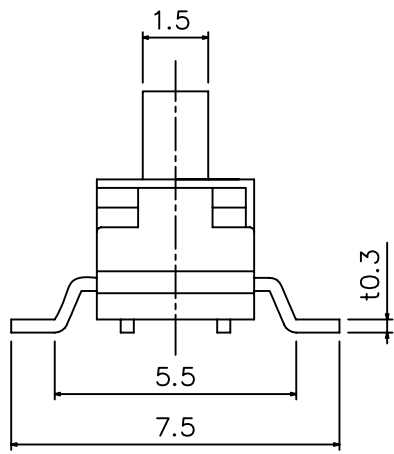
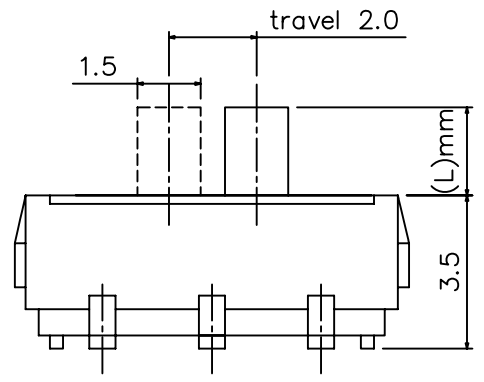
Circuit Diagram



P.C.B Mounting pattern Dimension



H	(L)mm
—	2.0
A	4.0



Specification

1. Rating : DC6V 0.3A
2. Contact Resistance : 70mΩ Max.
3. Travel : 2±0.3mm
4. Operating Force : 200±100gf.
5. Operating Life : 10,000 Cycles.

達立科技股份有限公司
Dawning Precision Co., Ltd.
TEL: 886-2-82271388 FAX: 886-2-82272198

DESIGN	Will	SCALE		
DRAWING	Will	UNIT	mm	
CHECK	Will	SIZE	A4: 210*297	
APPROVAL	Eric	VERSION	01	

TOLERANCE UNLESS OTHERWISE STATED(mm)	PART NAME	SLIDE SWITCH
less than 10 — ±0.2	PART NO	SS-D35S
10~30 — ±0.3	DRAWING NO	
30~100 — ±0.5	DATE	2009/08/03
ANGIE — ±2°		