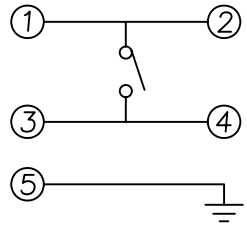


RoHS
Compatible

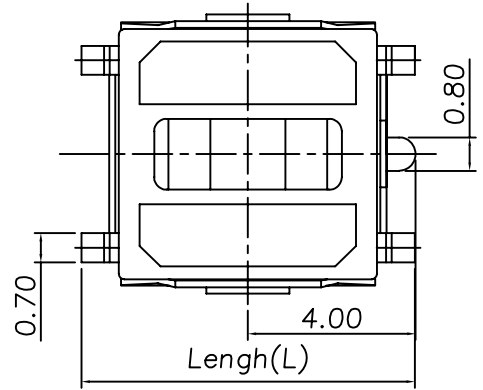
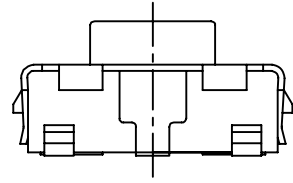
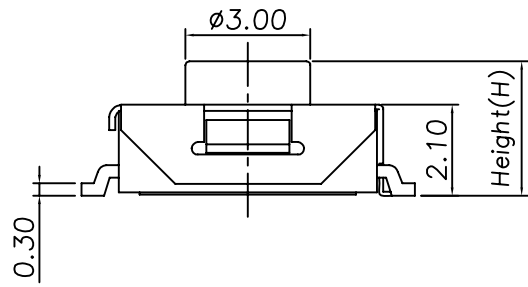
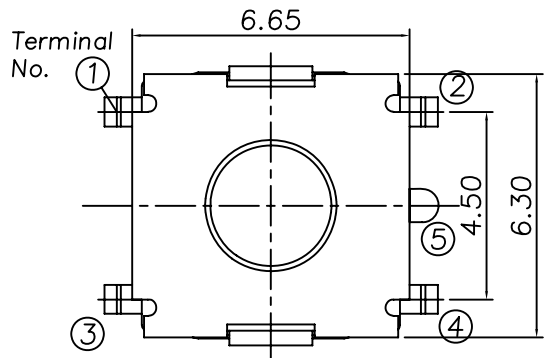
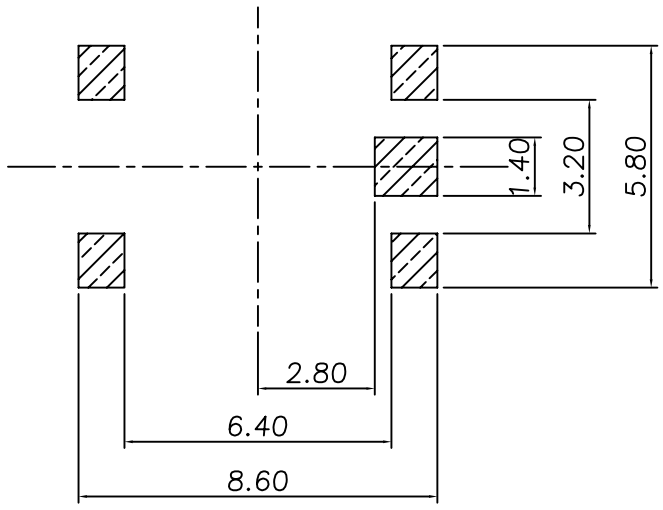
發行
2012.09.27
達立

△				
△				
△				
△				
ZONE	REV	DESCRIPTION	DATE	APPD.

Circuit Diagram



P.C.B Mounting pattern Dimension



Order Code Explanation :

TS-A57□□N□--S001

Operating Force

Item	Code
With Ground Cove, Without Ground Cover	P,D
Without Embossing	N
Stem Height(H) : 2.5 , 3.1	S,H
Terminal Lengh(L) : 8.0, 10.0	A,B

Specification

- Rating : 50mA, DC12V Max.
- Contact resistance : 100mΩ Max.
- Bounce : 10m sec Max.
- Travel : 0.25±0.1mm.
-

Model#	Operating Force	Life Cycles
TS-A57-2	160±50gf	100,000 Cycles
TS-A57-3	250±50gf	100,000 Cycles

5	Terminal	Brass	4	Ag Plated
4	Contact	Phosphor Bronze	1	Ag Clad
3	Cover	Stainless Steel	1	Ag Plated
2	Stem	PA6T	1	Black
1	Case	PA6T	1	Black

No.	part Name	Material	Q"ty	Finishing
-----	-----------	----------	------	-----------

達立科技股份有限公司
Dawning Precision Co., Ltd.
TEL: 886-2-82271388 FAX: 886-2-82272198

DESIGN	Will	SCALE		
DRAWING	Will	UNIT	mm	
CHECK	Will	SIZE	A4: 210*297	
APPROVAL	Eric	VERSION	01	

TOLERANCE UNLESS OTHERWISE STATED(mm)	PART NAME	TACT SWITCH
less than 10 — ±0.3	PART NO	TS-A57 SERIES
10~30 — ±0.4	DRAWING NO	
30~100 — ±0.5	DATE	2012/08/27
ANGIE — ±2°		