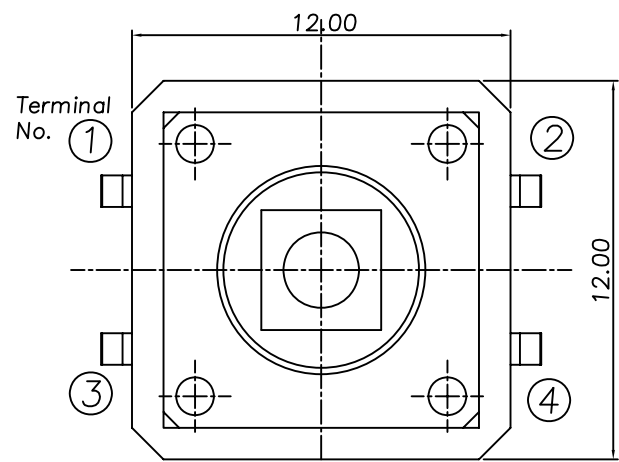
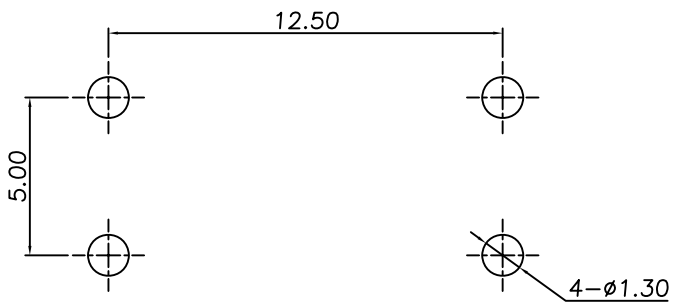


RoHS
Compatible

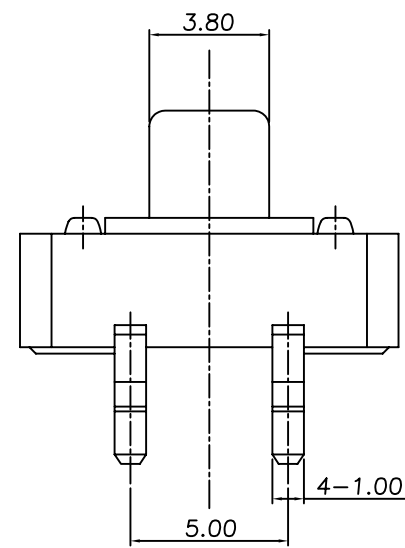
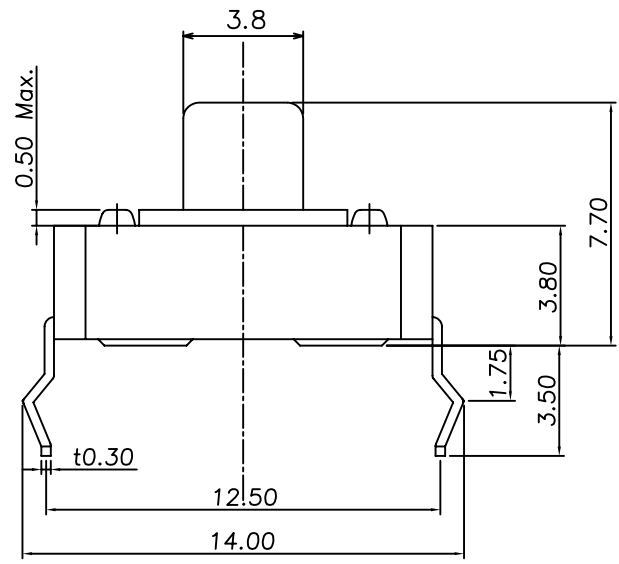
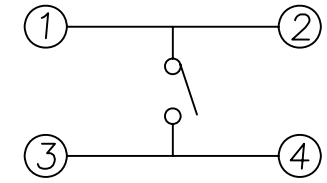
▲				
▲				
▲				
▲				
ZONE	REV	DESCRIPTION	DATE	APPD.



P.C.B Mounting pattern Dimension



Circuit diagram



Order Information:

TS-A03C- Force

Specifications

1. Rating : DC 12V 50mA
2. Contact resistance : 100mΩ Max.
3. Travel : 0.30±0.15mm
- 4.

Model#	Operating force	Life Cycles
TS-A03C-1	130±50gf	100,000 Cycles
TS-A03C-2	160±50gf	100,000 Cycles
TS-A03C-3	250±50gf	100,000 Cycles

達立科技股份有限公司
Dawning Precision Co., Ltd.
TEL: 886-2-82271388 FAX: 886-2-82272198

DESIGN	Will	SCALE		
DRAWING	Will	UNIT	mm	
CHECK	Will	SIZE	A4: 210*297	
APPROVAL	Eric	VERSION	01	

TOLERANCE UNLESS OTHERWISE STATED(mm)
less than 10 — ±0.2
10~30 — ±0.3
30~100 — ±0.5
ANGIE — ±2°

PART NAME	TACT SWITCH
PART NO	TS-A03C SERIES
DRAWING NO	
DATE	2009/11/10