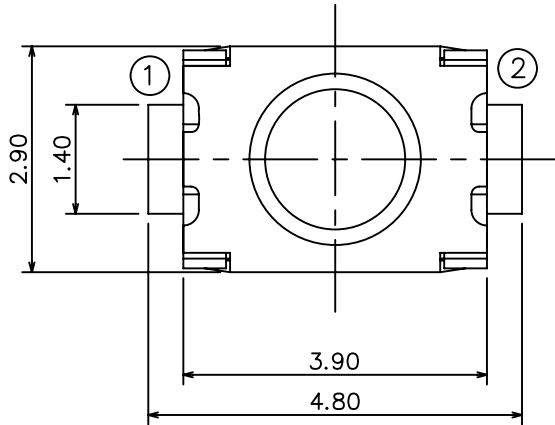
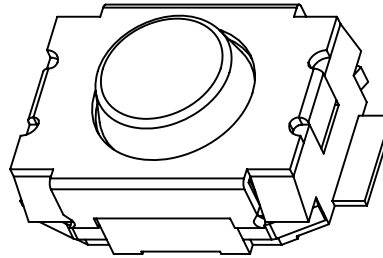


**RoHS**  
**Compatible**

▲				
▲				
▲				
▲				
ZONE	REV	DESCRIPTION	DATE	APPD.

\*TS-A85E/TS-A85(Without Embossing)

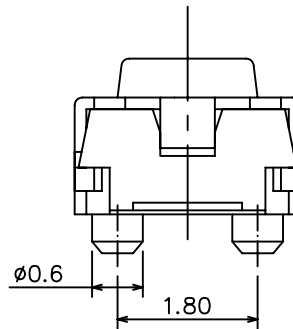
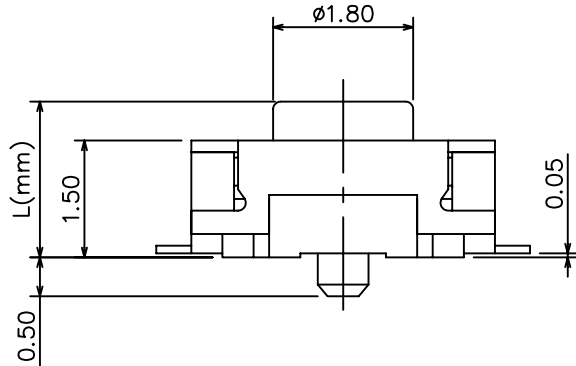
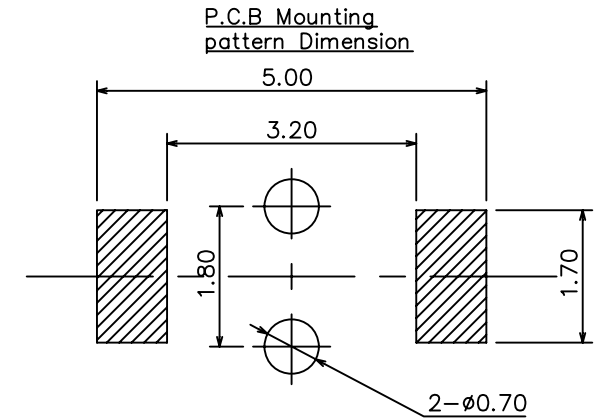


Circuit diagram



KNOB(L)

Model No	L(mm)
TS-A85	2.0
TS-A85A	2.5



Specifications

1. Rating : DC 12V, 50mA
2. Circuit : 1C-1P
3. Contact Resistance : 100mΩ Max.
4. Travel : 0.2 ± 0.1mm
5. Operating force : 160,250±50gf
6. Operating life : 100,000 cycles

達立科技股份有限公司

**Dawning Precision Co., Ltd.**

TEL: 886-2-82271388 FAX: 886-2-82272198

DESIGN	Will	SCALE		
DRAWING	Will	UNIT	mm	
CHECK	Will	SIZE	A4: 210*297	
APPROVAL	Eric	VERSION	01	

TOLERANCE UNLESS OTHERWISE STATED(mm)
less than 10 — ±0.2
10~30 — ±0.3
30~100 — ±0.5
ANGIE — ±2°

PART NAME	TACT SWITCH
PART NO	TS-A85 SERIES
DRAWING NO	
DATE	2008/09/24

www.dawning2.com.tw