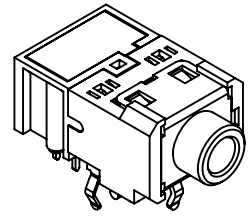
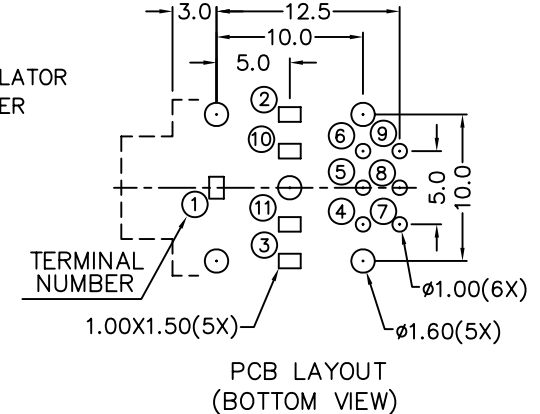
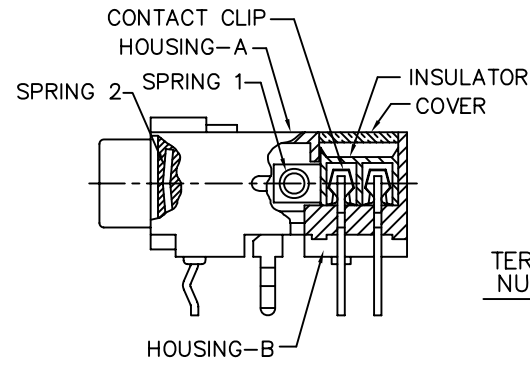
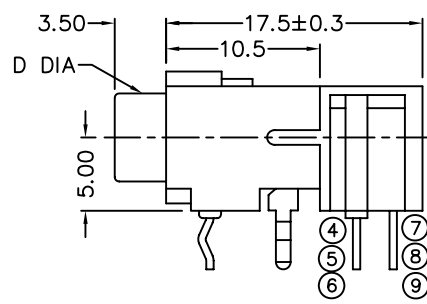
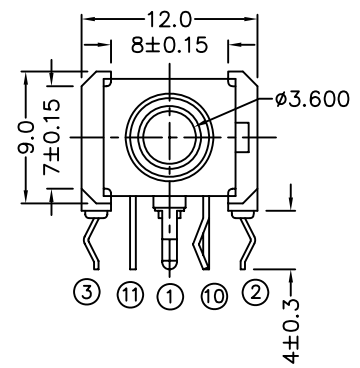


△				
△				
△				
△				
ZONE	REV	DESCRIPTION	DATE	APPD.



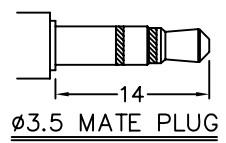
發行  
2010.01.19  
達立

**RoHS**  
**Compatible**



THREADED	M6X0.5	MODEL NO.	PJ-3575N-22	PJ-3574AN-22	PJ-3574BN-22	PJ-3573N-22	PJ-3573AN-22	PJ-3572N-22
FLASHED	φ6.0	MODEL NO.	PJ-3575F-22	PJ-3574AF-22	PJ-3574BF-22	PJ-3573F-22	PJ-3573AF-22	PJ-3572F-22
D DIA		SCHEMATIC						

- \* MATERIAL
- TERMINAL 1 : COLD ROLLED STEEL
  - TERMINAL 2 : COPPER ALLOY
  - TERMINAL 3 : COPPER ALLOY
  - TERMINAL 10 : BRASS
  - TERMINAL 11 : BRASS
  - TERMINAL 4,5,6,7,8,9 : BRASS
  - BUSHING : BRASS
  - HOUSING-A : PBT
  - HOUSING-B : PBT
  - COVER : PBT
  - INSULATOR : PA66
  - SPRING 1 : STAINLESS STEEL
  - SPRING 2 : COPPER ALLOY
  - CONTACT CLIP : C5210R-EH AG CLAD



**達立科技股份有限公司**  
**Dawning Precision Co., Ltd.**  
TEL: 886-2-82271388 FAX: 886-2-82272198

DESIGN	Will	SCALE		
DRAWING	Will	UNIT	mm	
CHECK	Will	SIZE	A4: 210*297	
APPROVAL	Eric	VERSION	01	

TOLERANCE UNLESS OTHERWISE STATED(mm)	PART NAME	PHONE JACK
less than 10 ±0.2	PART NO	PJ-357-22 SERIES
10~30 ±0.3	DRAWING NO	
30~100 ±0.5	DATE	2009/11/24
ANGIE ±2°		